

VRP102

HD-SDI Repeater

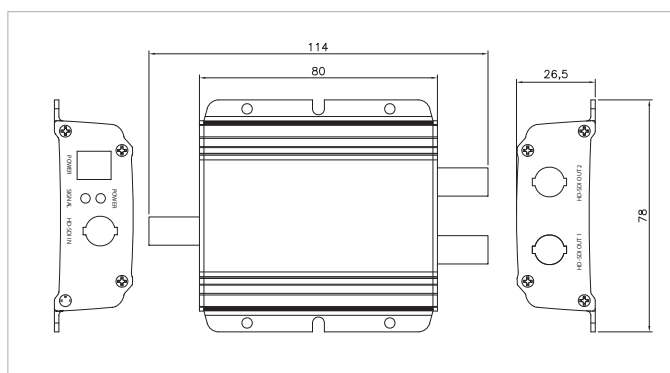


1080p 720p

Features

- HD-SDI Video Inputs(1080p or 720p)
- 2HD-SDI Video Output(1080p or 720p)
- Requirement for Coaxial Cable : L-5CFB Type Impedance : 75 Ohm
- Extended Distance : Approximately 100M
- HD-SDI Video Loss LED display

MODEL	VRP102
Video Input	1CH HD-SDI(720p,1080p)
Video Output	2CH HD-SDI(720p,1080p)
Max distance	100M/L-5CFB
Power Source	DC 12V/1.5A
Weight (Approx.g)	300
Measurement (mm)	42(W) x 26(V) x 75(L)



VRP102HDMI

HD SDI / HDMI Converter



1080p 720p

Features

- HD-SDI Video Inputs(1080p,1080i or 720p)
- 1CH HD-SDI Video Output(1080p,1080i or 720p) & 1CH HDMI Video Output
- Requirement for Coaxial Cable : L-5CFB Type Impedance : 75 Ohm
- Extended Distance : Approximately 100M
- HD-SDI Video Loss LED display

MODEL	VRP102HDMI
Video Input	1CH HD-SDI(720p,1080p,1080i)
Resolution	1080P(60,59,94,50,30,29,97,25) , 1080i(60,59,94,50), 720P(60,59,94,50,30,29,97,25)
Video Output	1CH HD-SDI(720p,1080p,1080i) and 1CH HDMI
Max distance(HD SDI)	100M/L-5CFB
Power Source	DC 12V/1.5A
Weight (Approx.g)	300
Measurement (mm)	42(W) x 26(V) x 75(L)

