

VN6XEH

Night Vision Outdoor Camera



Key Features of Effio-E

- *1/3" Sony 960H Ex-view HAD CCD II*
- *650TVL(D)/ 700TVL(N)*
- *New Color Signal Processing for High Color Reproduction*
- *2D DNR(Digital Noise Reduction)*
- *Diverse White Balance (ATW, Push, Push Lock, User 1/2, Anti Color Rolling, Manual)*
- *Dynamic and Static White Blemish Compensation*
- *Privacy Mosaic*

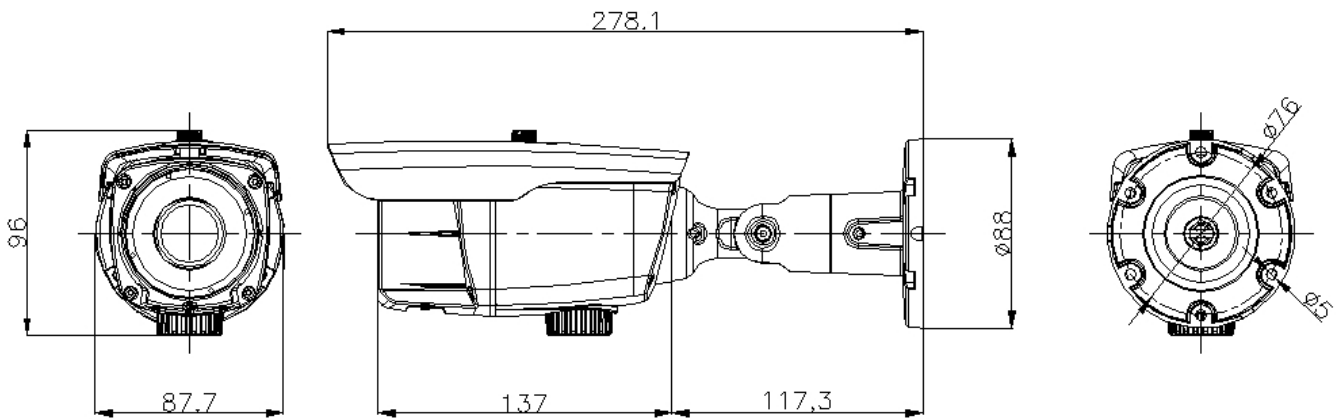
Key Features of VN6XEH

- *30M IR Beam Distance*
- *2.8-12mm Varifocal DC Auto Iris lens*
- *True Day & Night(ICR)*
- *Intelligent IR Image Compensation*
- *Easy-to-play OSD button on the unit*
- *RS-485 Interface(Pelco-D Protocol)*
- *Multi-Lingual OSD(English/ German/ French/ Russian/ Spanish/ Portuguese/ Japanese)*
- *Extra Video Out*
- *External Focus Adjustment*
- *Cable Managed Bracket*
- *IP66 Weatherproof*

Options

- *Lens : 3.6mm/ 6mm Fixed Iris lens – Digital Day & Night*
- *Power source : 12VDC, 12VDC/24VAC*
- *Heater : VN6XEH-HT [-40°C ~ 50°C(-40 °F ~ 122 °F)*

Dimension



Specification

MODEL	VN6XEH
Image sensor	1/3" Sony 960H Ex-view HAD CCD II
Effective Pixels	NTSC : 976(H) x 494(V), PAL : 976(H) x 582(V)
H. Resolution	650TV Lines(Color)/ 700TV Lines(B/W)
Synchronizing system	Internal
Scanning system	NTSC : 525 Lines PAL : 625 Lines 2:1 Interlaced
Video output	1.0Vp-p Composite 75 Ohms
S/N ratio	More than 52dB (AGC Off)
Min. Illumination	0Lux
Shutter Speed	NTSC:1/60~1/100,000 sec. PAL:1/50~1/100,000 sec.
Gamma Correction	Standard $\gamma = 0.45$
White Balance	1,800 K ~ 10,500 K Auto (ATW/ Push/ Push lock/ User 1/2, Anti CR, Manual)
Gain Control	Standard : -6dB ~ 44.8dB Auto
Smear Effect	0.005%
Power source	12VDC, 12VDC/24VAC
Operating current	120mA/12VDC(IR Off), 370mA/12VDC(IR On) 80mA/24VAC(IR Off), 220mA/24VAC(IR On)
Lens(Standard)	2.8-12mm Varifocal DC Auto Iris lens
Lens(Option)	3.6mm/ 6mm Fixed Iris lens
LED Spectrum	850nm
Viewable Distance	Up to 30M at Moonless Night
MTBF of IR	20,000 hours
Iris Control	Auto
Operating temp./Humidity	-10°C ~ 50°C (Humidity : 0% RH ~ 90% RH),

	<i>Option : -40°C ~ 50°C(-40 °F ~ 122 °F)</i>
<i>IP Rating</i>	<i>66</i>
<i>Measurement (mm)</i>	<i>87.7(W) x96(V)x278.1(L)</i>
<i>Weight (Approx. g)</i>	<i>860</i>
FUNCTION	
<i>Shutter/ AGC</i>	<i>Auto/ Manual</i>
<i>White Balance</i>	<i>ATW / Push / Push Lock / User 1, 2/ Anti CR/ Manual</i>
<i>Picture Adjust</i>	<i>Mirror(On/Off), Brightness, Contrast, Sharpness, HUE, Gain</i>
<i>Privacy Mosaic</i>	<i>On/Off (4 Zone setting available)</i>
<i>NR</i>	<i>NR Mode/ Y Level/ C Level</i>
<i>Camera ID</i>	<i>On/ Off</i>
<i>Language</i>	<i>English/ Germany/ French/ Russian/ Spanish/ Portuguese, Japanese</i>