

VQ33S WideLux WDR Miniature Camera



VQ33S-W36



VQ33S-VF



VQ33S-B36



VQ33S-P37P



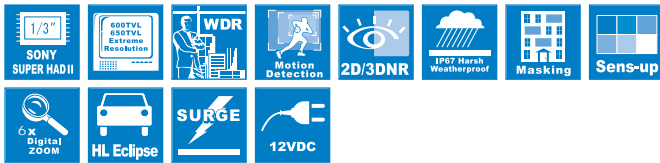
VQ33S-P37C

Product Information

VQ33S is WideLux WDR Miniature camera with high resolution of 600TVL and offers world's best WDR performance with a single scan CCD.

Our fine craftsmanship reaches not only to the picture quality and compact size but also to the products Good Design. The unit is supported with a variety of optical solutions in order to cover a dynamic range of applications with a different viewable distance.

This is critical for the reliability as this unit produces less heat and protects it from damage against bad power supply or fluctuating AC power input. Universal type of mounting structure provides a useful way of installation.

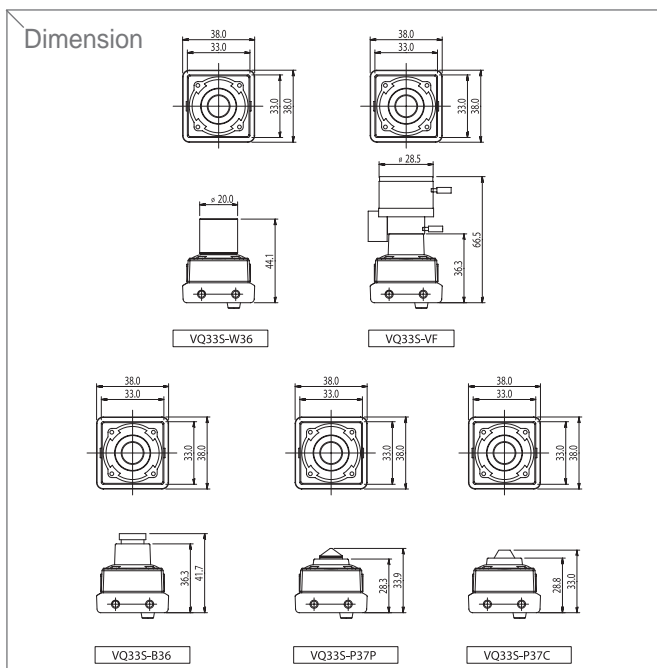


Special Features

- World's smallest with WDR and 2D/3D DNR
- User-friendly housing mechanism makes a wide range of different focal lens interchangeable
- Compact design offers world's best video quality like standard camera

General Features

- Super Wide Dynamic(WideLux chip embedded - Ref. page11)
- 600TVL(Day)/650TVL(Night) • 2D/3DNR(Noise Reduction)
- Motion Detection • DIS(Digital Image Stabilizer) • Highlight Eclipse
- RS-485 Interface(Pelco-D) • IP67 Weatherproof • 12VDC



MODEL	VQ33S
Image sensor	1/3" Sony Super HAD CCD II
Effective Pixels	NTSC : 768(H) x 494(V) PAL : 752(H) x 582(V)
H. Resolution	600 TV Lines(Day) / 650 TV Lines(Night)
Synchronizing system	Internal
Scanning system	NTSC : 525 Lines PAL : 625 Lines 2:1 Interlaced
Video output	1.0Vp-p Composite 75 Ohms
S/N ratio	More than 52dB (AGC Off)
Min. Illumination	0.1Lux at F1.2(Sens-up Off), 0.0001Lux at F1.2(Sens-up, x 512)
Shutter Speed	NTSC:1/60~1/100,000 sec. PAL:1/50~1/100,000 sec.
Gamma Correction	Standard $\gamma = 0.45$
White Balance	1,800°K ~ 11,000°K Auto ATW/Push Lock/Manual selectable by OSD
Gain Control	Standard : -6dB ~ 34dB Auto / Maximum by OSD
Smear Effect	0.005%
Power source	12VDC
Operating current	120mA
MTBF	80,000 hours
Lens	Board lens : 3.6mm(92°) Board lens option : 2.5mm(145°), 2.9mm(120°), 4.3mm(78°), 6.0mm(54°), 8mm(39°) 12.0mm(26°), 16mm(19°) Pinhole Lens Option Peak Cone : 2.8mm(130°), 3.7mm(90°), 5.0mm(78°) Semi Cone : 2.8mm(130°), 3.7mm(90°), 5.0mm(78°) Varifocal Lens Option 2.6-6mm/2.8-12mm/3.3-12mm/4-9mm/9-22mm VF lens
Iris Control	Auto
Operating temp./Humidity	-10°C ~ 50°C (Humidity : 0%RH ~ 90%RH)
Measurement (mm)	Refer to dimensions
Weight (Approx.g)	150
Function	
WDR	Off / On (User selectable by OSD)
2D/3DNR	Off / On (User selectable by OSD)
Sens-up	Off / 2x ~ 512x
Motion Detection	On/Off (8 Zone setting available)
Digital Zoom	Off, X1 ~ X6
White Balance	Auto (ATW) / Push Lock / User Selectable
Privacy Mask	Off / On (8 Zone setting available)