



KPC-EX20BH



KPC-EX20PH1



KPC-EX20PH3



KPC-EX20PH4

Mini Square ExView B/W Camera

- Sony 1/3" ExView B/W CCD
- 600 TVL Horizontal Resolution
- Ultra low lux of 0.003 lux
- Noise, Ghost & Blooming Free
- Automatic Gain Control (AGC)
- Automatic Backlight Compensation (BLC)
- Built-in Reverse Power Input Safety Circuit
- Super Compact size of 0.87"(W) X 0.91"(H)

Technical Specification

Image Device	SONY 1/3" ExView B/W CCD
Scanning System	2 : 1 Interlace
Scanning Frequency	H : 15.734 (KHz), V : 60 (Hz)
Total Pixels	811(H) x 508(V)
Effective Pixels	768(H) x 494(V)
Horizontal Resolution	600 TV Lines
Electronic Shutter	1/60 ~ 1/100,000sec auto
S/N Ratio	More than 50dB (AGC Off)
White Balance	Automatic (Only Color CCD Camera)
Sensitivity	0.003 Lux / Faceplate
Gamma Correction	$\lambda = 0.45$
Sync System	Internal
Video Output	Composite 1 [Vp-p] 75(Ω) unbalanced
Power Supply	DC12V ($\pm 10\%$), Max 120mA
Operating Temperature	-10°C ~ +50°C
Storage Temperature	-20°C ~ +60°C
Operating Humidity	10% ~ 80%



Lens Types



Board Lens

P1 Lens

P3 Lens

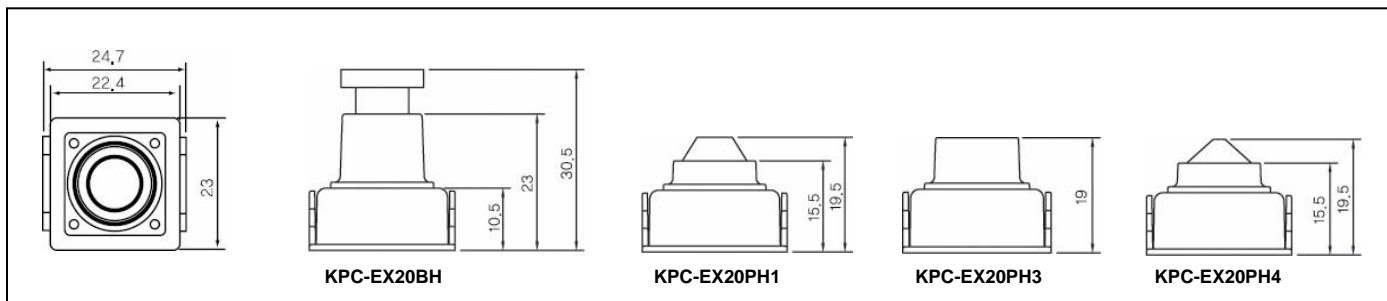
P4 Lens

Lens Option

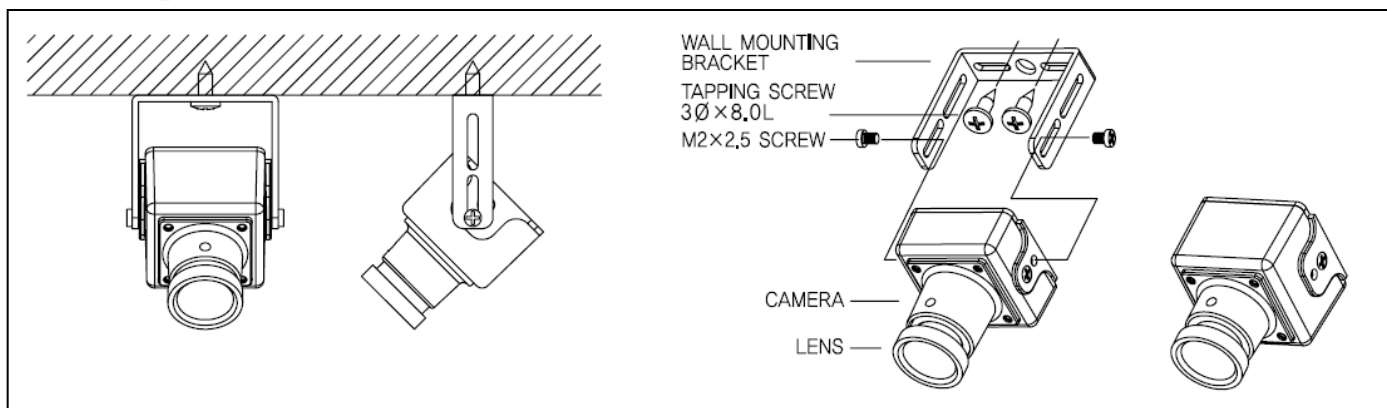
Lens (mm)	Type	Board Lens (B)							Pinhole Lens		
		(P1)	(P3)	(P4)	(P1)	(P3)	(P4)				
Focal Length		2.45	2.97	3.6	6	8	12	16	3.7	3.7	4.3
Aperture		F2.0	F2.0	F2.0	F2.0	F2.0	F2.0	F2.2	F2.0	F2.0	F2.0
Angle of View		150°	130°	92°	53°	40°	28°	19°	90°	90°	78°

* Specifications & Features are subject to change without prior notice.

Dimensions (Unit: mm)



Mounting Position



* Specifications & Features are subject to change without prior notice.