



KPC-EX20BH



KPC-EX20PH1



KPC-EX20PH3



KPC-EX20PH4

## Mini Square ExView B/W Camera

- Sony 1/3" ExView B/W CCD
- 600 TVL Horizontal Resolution
- Ultra low lux of 0.003 lux
- Noise, Ghost & Blooming Free
- Automatic Gain Control (AGC)
- Automatic Backlight Compensation (BLC)
- Built-in Reverse Power Input Safety Circuit
- Super Compact size of 0.87"(W) X 0.91"(H)

## Technical Specification

|                       |  |
|-----------------------|--|
| Image Device          | SONY 1/3" ExView B/W CCD                     |
| Scanning System       | 2 : 1 Interlace                              |
| Scanning Frequency    | H : 15.734 (KHz), V : 60 (Hz)                |
| Total Pixels          | 811(H) x 508(V)                              |
| Effective Pixels      | 768(H) x 494(V)                              |
| Horizontal Resolution | 600 TV Lines                                 |
| Electronic Shutter    | 1/60 ~ 1/100,000sec auto                     |
| S/N Ratio             | More than 50dB (AGC Off)                     |
| White Balance         | Automatic (Only Color CCD Camera)            |
| Sensitivity           | 0.003 Lux / Faceplate                        |
| Gamma Correction      | $\lambda = 0.45$                             |
| Sync System           | Internal                                     |
| Video Output          | Composite 1 [Vp-p] 75( $\Omega$ ) unbalanced |
| Power Supply          | DC12V ( $\pm 10\%$ ), Max 120mA              |
| Operating Temperature | -10°C ~ +50°C                                |
| Storage Temperature   | -20°C ~ +60°C                                |
| Operating Humidity    | 10% ~ 80%                                    |



## Lens Types



Board Lens

P1 Lens

P3 Lens

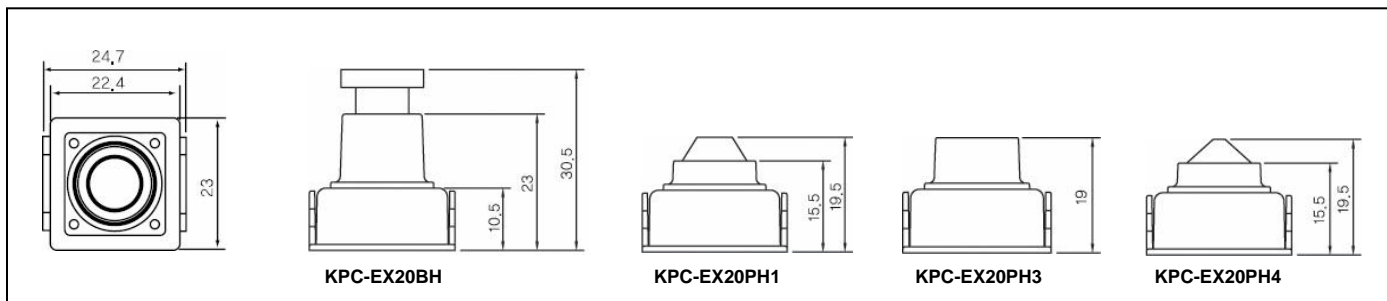
P4 Lens

## Lens Option

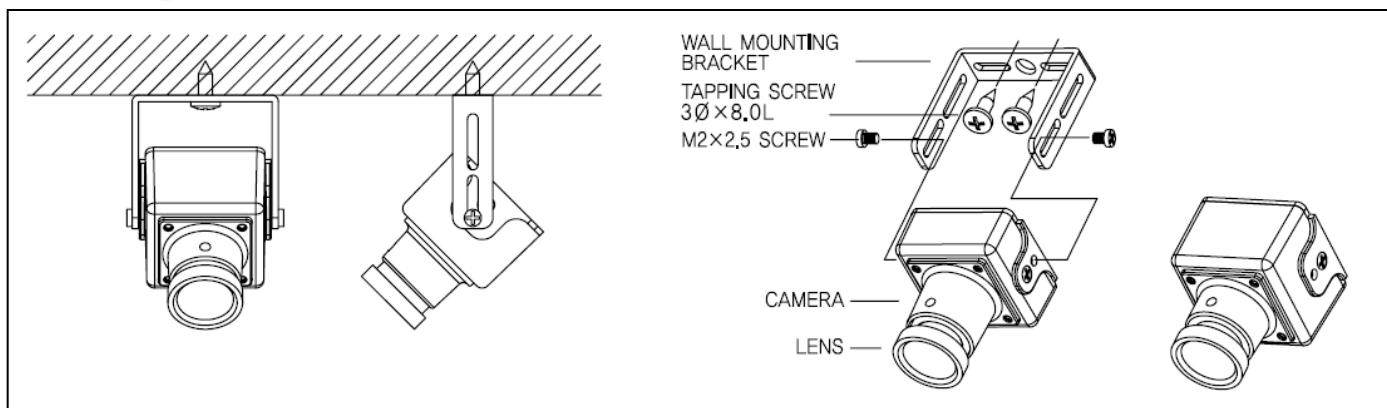
| Lens (mm)     | Type | Board Lens (B) |      |      |      |      |      |      | Pinhole Lens |      |      |
|---------------|------|----------------|------|------|------|------|------|------|--------------|------|------|
|               |      | (P1)           | (P3) | (P4) | (P1) | (P3) | (P4) | (P1) | (P3)         | (P4) |      |
| Focal Length  |      | 2.45           | 2.97 | 3.6  | 6    | 8    | 12   | 16   | 3.7          | 3.7  | 4.3  |
| Aperture      |      | F2.0           | F2.0 | F2.0 | F2.0 | F2.0 | F2.0 | F2.2 | F2.0         | F2.0 | F2.0 |
| Angle of View |      | 150°           | 130° | 92°  | 53°  | 40°  | 28°  | 19°  | 90°          | 90°  | 78°  |

\* Specifications & Features are subject to change without prior notice.

## Dimensions (Unit: mm)



## Mounting Position



\* Specifications & Features are subject to change without prior notice.