

35X Zoom Camera (420X)

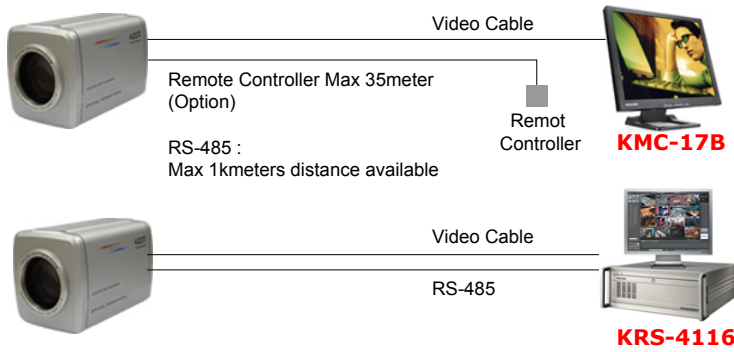


35X Zoom Camera (420X)

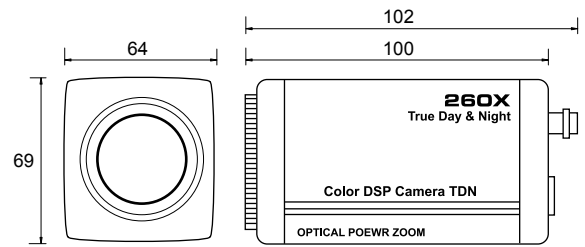
KZC-281DN
KZC-281DP

- High Sensitive 1/4" SONY HYPER CCD
- 410K Pixels (480 TV Lines)
- Built in Auto Focus / Auto Iris
- OSD (On Screen Display)
- High Durability Built In 35X Optical Power Zoom
- 12X Digital Zoom (Total. 420x Zoom)
- BLC, AGC
- 2~12X Variable Digital Zoom ranges
- PELCO-D Protocol included
- Wired Remote Controller (1.5m, 35m as optional)
- Day&Night Type
(Filter change and Digital Slow Shutter)

Application



Dimension



Specifications

MODEL NAME		KZC-281DN	KZC-281DP
Signal Format		NTSC	PAL
Scanning System		2 : 1 Interlace	
Scanning Frequency (H)		15.734 KHz	15.625 KHz
Scanning Frequency (V)		59.94 Hz	50 Hz
Pick-Up Device		1/4" SONY HYPER CCD	
Total Pixels Number		811 (H) x 494 (V) . 410K	795 (H) x 596 (V) . 470K
Picture Element		768 (H) x 494 (V)	752 (H) x 582 (V)
S/N Ratio		More Than 48dB	
Horizontal Resolution		More Than 470TV Lines	
Lens		X35 Zoom [3.6mm ~ 126mm, F1.6(W) ~ F3.7(T)]	
Minimum Illumination		0.08 Lux (40 IRE) F1.6 [NORMAL] 0.001 Lux (40 IRE) F1.6 [ICR] and DSS: Digital Slow Shutter	
Digital Zoom Ration		Basic x 12 (Total Zoom Ration x 420, X2 ~ X12 Variable)	
Sync System		Internal	
OSD (On Screen Display)		OSD On / Off	
Video Output		Composite Output 75Ω Terminated	
Camera Control		RS-485 / RS-232C	
Day & Night		Auto [ICR and DSS : Digital Slow Shutter]	
Functions	Focus Mode	Auto / Manual	
	Brightness Control	Manual (Brightness Up / Down)	
	Sharpness Control	Manual (Sharpness Up / Down)	
	Iris Control	Auto / Manual (Iris Up / Down)	
	AGC Control	Auto / Manual (0~ 22 dB Control)	
	Shutter Speed	1/60 ~ 1/10,000 Sec	1/50 ~ 1/10,000 Sec
	White Balance	AWB / WAWB / Indoor / Outdoor / Manual	
	Back Light Compen.	On / Off	
	Negative / Positive	Negative On /Off	
	Freeze	On / Off	
Operation Temperature		-10 ~ 50℃	
Operation Humidity		0 ~ 80% RH	
Storage Temperature		-20 ~ 60℃, 0 ~ 85% RH	
Supplied Voltage		8~16V (Recommendable Voltage: 12V±10%)	
Power Consumption		Max. 5.0W	
Dimensions		64(w) x 69(h) x 102(d)	
Weight		Around 380g	

This specification may be changed without notice for quality improvement.
For more information, please visit <http://www.kocom.com>

KOCOM CO.,LTD.

Head Office
7F, KOCOM BLDG., 260-7, Yumchangdong, Kangseogu, Seoul, Republic of Korea
Tel : + 82-2-6675-2205 Fax : 82-2-6675-2000 / 2200 Email : export@kocom.co.kr