

VCB-8A0W

Date of Issue

28 May, 2015

Revision No.

3.0

1/8

APPROVAL SHEETS

DESCRIPTION : **MEGA ANALOG BOARD CAMERA**

MODEL NO. : **VCB-8A0WN/ WP**

Customer

APPROVED	CHECKED	ISSUED

vision*(ite)*

VISIONITE Inc.

VCB-8A0W	Date of Issue	28 May, 2015	2/8
	Revision No.	3.0	

VCB – **F** **8 A 0** **WN**
 (1) (2) (3) (4)

(1)	Board Camera
(2)	Blank ; without OLPF & without lens holder F ; fixed iris lens V ; DC auto iris lens
(3)	Board Revision No. 8A0 ; with mechanical Day & Night Filter 8A2 ; with infrared cut OLPF(Optical Low Pass Filter)
(4)	WN ; NTSC, WP : PAL

CONTENTS

	PAGE
1. MODIFICATION RECORD -----	3
2. GENERAL SPECIFICATIONS -----	4
3. INTERFACE -----	5
4. APPEARANCE -----	5
5. PACKING METHOD -----	6
6. OSD MENU STRUCTURE -----	7

VCB-8A0W

Date of Issue

28 May, 2015

Revision No.

3.0

4/8

2. GENERAL SPECIFICATIONS

Camera	Image Device	1/3 type Panasonic MOS
	Scanning System	Progressive Scan
	Total Pixels	1304(H) x 1074(V) : 1.40Mega pixel
	Effective Pixels	1296(H) x 1032(V) : 1.34Mega pixel
	Min. Illumination	0.1Lux@F2.0 , 30IRE
	Sync System	Internal
	Electronic Shutter	NTSC : 1/60~1/60,000sec, PAL : 1/50~1/60,000sec
Video	Output	CVBS (NTSC, PAL)
	Resolution	850TVL
OSD	Language	English, Chinese, Chinese(S), Japanese, Korean
	LENS	DC/ MANUAL
	EXPOSURE	BRIGHTNESS/ AGC/ SHUTTER/ SENS-UP(max. x32)
	WHITE BALANCE	AWB/ATW/ PUSH LOCK/ MANUAL
	BACK LIGHT	OFF/ BLC/ WDR
	DNR	OFF/ LOW/ MIDDLE/ HIGH
	DAY&NIGHT	AUTO/ COLOR/ B&W/ EXTERN/ CDS
	IMAGE	SHARPNESS/ COLOR LEVEL/ MIRROR/ FLIP/ LENS SHADING/ GAMMA/ D-ZOOM/ DEFOG/ D-WDR
	SPECIAL	COMM ADJUST/ PRIVACY/ HLC/ INTELLIGENT(MOTION/ ALARM/ QUICK ZOOM)
	SYSTEM	VIEW ANGLE/ CVBS/ LANGUAGE/ CAM TITLE
Others	Operating Temperature	14°F~122°F (-10°C~+50°C)
	Storage Temperature	-4°F~140°F (-20°C~+60°C)
	Humidity	Less than 80%
	Power Consumption	DC12V(±10%), Max.150mA
	Dimensions	32mm x 32mm, 1board, 1.2t

VCB-8A0W

Date of Issue

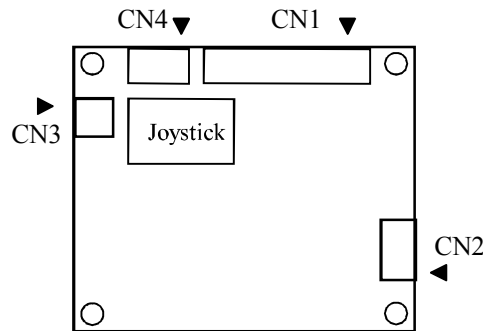
28 May, 2015

Revision No.

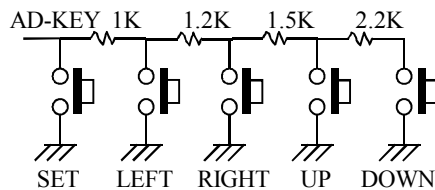
3.0

5/8

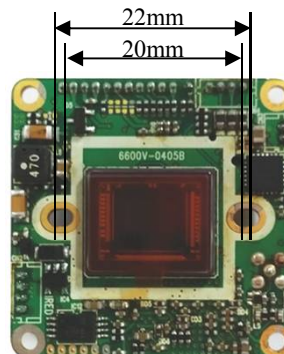
3. INTERFACE



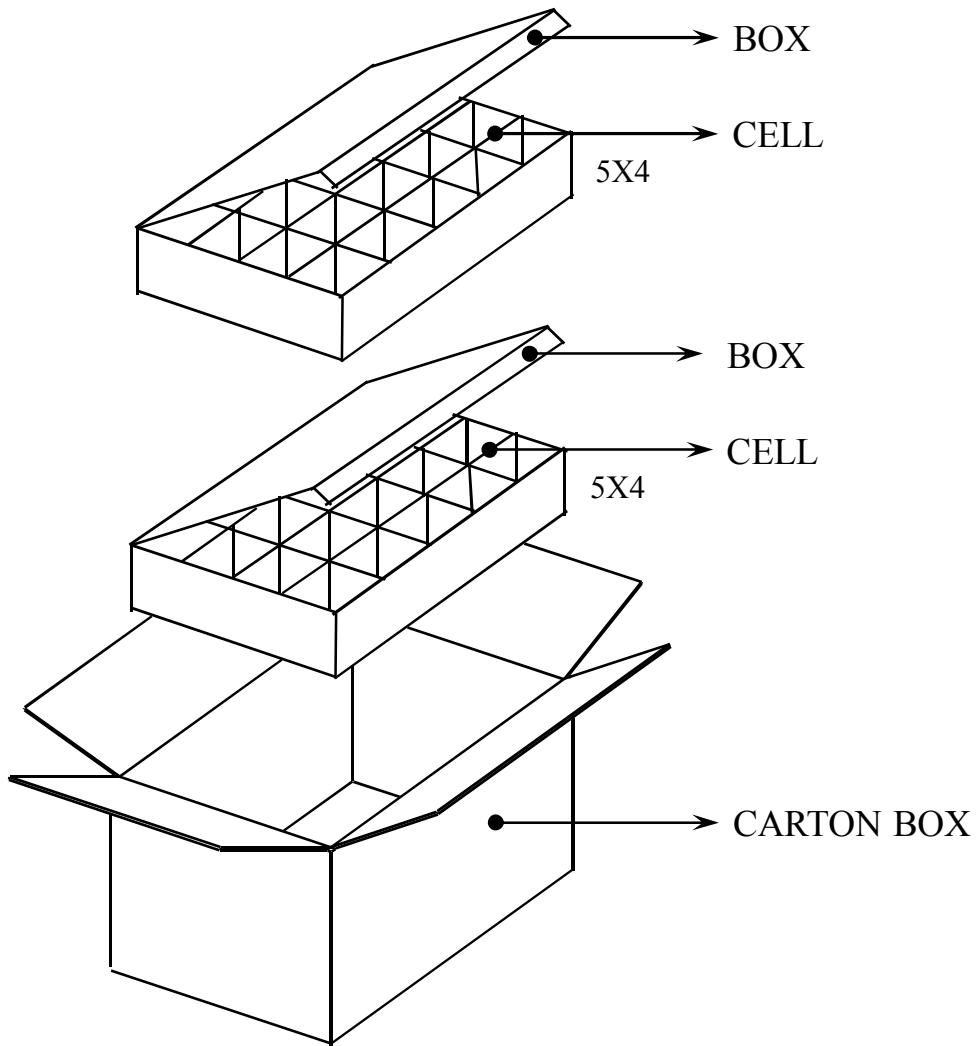
Allocation	No.	Pin Name	I/O	Description
CN1	1	AD-KEY	-	Yeonho 12512WS-11A00, Pitch 1.25mm Control signal for OSD & POWER Input & CVBS Output & RS485 Communication & DI (External day& night signal input) & DO (Day & night signal output)
	2	CVBS output	OUT	
	3	GND	-	
	4	DC12V input	IN	
	5	EXT_DI (3.3V:COLOR, 0V:B/W)	IN	
	6	EXT_DO (B/W: 3.3V, COLOR:0V)	OUT	
	7	RS232_TX	OUT	
	8	RS232_RX	IN	
	9	RS485_EN	OUT	
	10	+3.3V	OUT	
	11	MD_OUT	OUT	
CN2	1	DC12V	OUT	Yeonho 12512WS-04A00, Pitch 1.25mm IRED Power Output & IRED SENS signal input(3.3V pull-up 68Kohm)
	2	GND	-	
	3	SENS (3.3V:B/W, 0V:COLOR)	IN	
	4	LED CTL(ON:3.3V, OFF:0V)	OUT	
CN3	1	TDN_2 (High : Day -> Night)	OUT	Yeonho 12512WS-02A00, Pitch 1.25mm Control signal for IR cut filter removable
	2	TDN_1 (High : Night -> Day)	OUT	
CN4	1	DAMP+	OUT	Yeonho 12512WS-04A00, Pitch 1.25mm Control signal for DC iris lens
	2	DAMP-	OUT	
	3	DRV+	OUT	
	4	GND	-	



4. APPEARANCE



5. PACKING METHOD



VCB-8A0W

Date of Issue

28 May, 2015

Revision No.

3.0

7/8

6. OSD MENU STRUCTURE(1/2)

MAIN MENU	SUB MENU1	SUB MENU2	VALUE	
LENS	DC		INDOOR/ OUTDOOR/ DEBLUR	
	MANUAL		NORMAL/ DEBLUR	
EXPOSURE	BRIGHTNESS		0 ~ 20	
	AGC		0 ~ 20	
	SHUTTER		AUTO/ MANUAL/ FLICKERLESS	
	SHUTTER SPEED		60(50),120(100),240,500,1K,2K,4K,8K,16K,30K,60K	
	SENS-UP		OFF/ X2/ X4/ X6 / X8 / X16 / X32	
WHITE BALANCE	AWB			
	ATW			
	PUSH LOCK			
	MANUAL	KELVIN	LOW/ MIDDLE/ HIGH	
		R-GAIN	0 ~ 20	
		B-GAIN	0 ~ 20	
BACKLIGHT	OFF			
	BLC	H-POS	0 ~ 20	
		V-POS	0 ~ 20	
		H-SIZE	0 ~ 20	
		V-SIZE	0 ~ 20	
WDR	WEIGHT	LOW/ MIDDLE/ HIGH		
DNR			OFF/ LOW/ MIDDLE/ HIGH	
DAY&NIGHT	MODE		AUTO/ COLOR/ B&W/ EXTERN/ CDS	
	DWELL TIME		0 ~ 9sec, 1sec/step	
	AGC THRES		0 ~ 10	
	AGC MARGIN		0 ~ 10	
	CDS D->N LEVEL		0 ~ 20	
	CDS N->D LEVEL		0 ~ 20	
	SMART IR		OFF/ ON	
	LEVEL		0 ~ 20	
	BURST		OFF/ ON	
IMAGE	SHARPNESS		0 ~ 20	
	COLOR LEVEL		0 ~ 20	
	MIRROR		OFF/ ON	
	FLIP		OFF/ ON	
	SHADING	OFF/ ON	WEIGHT 0 ~ 100%	
	GAMMA		0.45/ 0.5/ 0.55/ 0.6/ 0.65	
	D-ZOOM		1~ 8X	
	DEFOG	OFF		
		AUTO		LOW/ MIDDLE/ HIGH
MANUAL			LOW/ MIDDLE/ HIGH	
D-WDR			OFF/ LOW/ MIDDLE/ HIGH	

VCB-8A0W

Date of Issue

28 May, 2015

Revision No.

3.0

8/8

6. OSD MENU STRUCTURE(2/2)

MAIN MENU	SUB MENU1	SUB MENU2	VALUE	
SPECIAL	COMM. ADJUST	CAM ID	0 ~ 255	
		BAUDRATE	2400,4800,9600,19200,38400,57600,115200	
		PROTOCOL	PELCO-D	
	PRIVACY	ZONE NUM.	ZONE NUM.	0 ~ 15
			ZONE DISP	OFF/ ON
			H-POS	0 ~ 38
			V-POS	0 ~ 30
			H-SIZE	0 ~ 40
			V-SIZE	0 ~ 32
			Y LEVEL	0 ~ 20
			CR LEVEL	0 ~ 20
			CB LEVEL	0 ~ 20
			HLC	LEVEL
	MODE	ALL DAY, NIGHT ONLY		
	MOTION (for INTELLIGENT)	DET.SETTING	DET.SETTING	SENSITIVITY(0 ~ 20), OBJ.KEEP LV(0~60) MOTION EST.(0~20), SIGNAL OUT(OFF/ ON)
			WINDOW TONE	0 ~ 6
			WINDOW ZONE	0 ~ 3
			WINDOW USE	OFF/ ON
			DET H-POS	0 ~ 60
			DET V-POS	0 ~ 40
			DET H-SIZE	0 ~ 60
			DET V-SIZE	0 ~ 40
	ALARM (for INTELLIGENT)	SHAKING	SHAKING	OFF/ ON
			SHAKE SCALE	0 ~ 20
			BRIGHT CHG.	OFF/ ON
			BRIGHT SCL.	0 ~ 20
	QUICK ZOOM (for INTELLIGENT)	MOVING	MOVING	(0 ~ 240)/60sec
			ZOOM IN	(0 ~ 240)/60sec
			STANDBY	(0 ~ 240)/60sec
			SYNCHRONOUS	OFF/ ON
			TRACKING	OFF/ ON
			REPEAT	OFF/ ON
	SYSTEM	VIEW ANGLE		WIDE 4:3/ WIDE 16:9/ NORMAL 4:3
XY ADJUST			DISPLAY position(Using UP/DOWN/ LEFT/ RIGHT key)	
CVBS			NTSC/ PAL	
LANGUAGE			ENG/ CHINESE/ CHINESE(S)/ JAPANESE/ KOREAN	
CAM TITLE			A~Z, 0~9,Blank, 8digit	

WDR is not operated at 'SHUTTER MODE=MANUAL'.**QUICK ZOOM is not operated at 'MOTION=OFF'.**