

VCQ2-F282H

Date of Issue

12 Oct, 2017

Revision No.

0.2

1/10

APPROVAL SHEETS

DESCRIPTION : **COLOR CCD SQUARE CAMERA**

MODEL NO. : **VCQ2-F282HN/ HP**

Customer

APPROVED	CHECKED	ISSUED

***vision*(ite)**

VISIONITE Inc.

VCQ2-F282H	Date of Issue	12 Oct, 2017	2/10
	Revision No.	0.2	

VCQ2 – F 2 8 2 HN

1
2
3
4

1	Miniature Square Camera
2	F : Board Lens P : Pinhole Lens
3	Board Revision No.
4	HN ; NTSC, HP : PAL

CONTENTS

	PAGE
1. MODIFICATION RECORD -----	3
2. GENERAL SPECIFICATIONS -----	4
3. CONNECTION -----	5
4. PACKING(Unit Box) -----	6
5. PACKING(Carton Box) -----	7
6. OSD MENU STRUCTURE -----	8

VCQ2-F282H	Date of Issue	12 Oct, 2017	4/10
	Revision No.	0.2	

2. GENERAL SPECIFICATIONS

MODEL	VCQ2-F282HN	VCQ2-F282HP
Signal System	NTSC	PAL
Total Pixels Number	1020(H) x 507(V) 520K	1020(H) x 595(V) 610K
Effective Pixels Number	976(H) x 494(V) 480K	976(H) x 582 (V) 570K
Pick-up Device	1/3" 960H SHARP CCD (RJ2331BA)	1/3" 960H SHARP CCD (RJ2341BA)
Image Signal Processor	NEXTCHIP(NVP2090)	
Lens Fitted	Board, Pinhole	
Scanning System	2:1 Interlace	
Scanning Frequency	59.94Hz(VD)	50Hz(VD)
Resolution	700 TV lines	
S/N Ratio	More than 50dB (AGC Off)	
Video Output	1.0 Vpp composite(75Ω)	
Min. Illumination	0.1Lux @ 30IRE, F2.0	
Shutter Speed	1/60 ~ 1/100,000sec	1/50 ~ 1/100,000sec
OSD (option)	LANGUAGE	English, Japanese, German, French, Russian, Portuguese, Spanish, Chinese
	LENS	MANUAL, DC
	EXPOSURE	SHUTTER, AGC, DWDR
	WHITE BALANCE	ATW1, ATW2, AWC->SET, ANTI.CRL, MANUAL
	BACKLIGHT	OFF, BLC, HLC
	DAY&NIGHT	AUTO, B/W, EXT, COLOR
	DPC	OFF, START
	IMAGE ADJUST	LENS SHAD, 2DNR, MIRROR, FONT COLOR, CONTRAST, SHARPNESS, GAMMA, PED LEVEL, COLOR GAIN, NEG.IMAGE
	MOTION	OFF, ON (4 AREAS)
	PRIVACY	OFF, ON (8 AREAS)
	PARK. LINE	OFF, ON
	CAMERA TITLE	0~9, A~Z, Special Characters
Power Consumption	DC12V, Max. 80mA	
Operating Temperature	-10℃ ~ 50℃ (Humidity : 0%RH ~ 80%RH)	
Storage Temperature	-20℃ ~ 60℃ (Humidity : 0%RH ~ 85%RH)	
Options	Lens, Cable OSD function	

VCQ2-F282H

Date of Issue

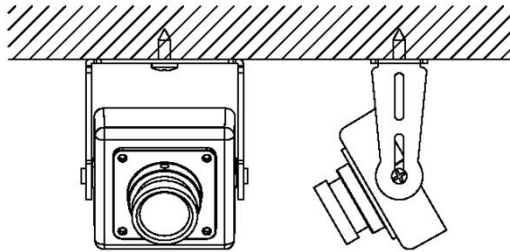
12 Oct, 2017

Revision No.

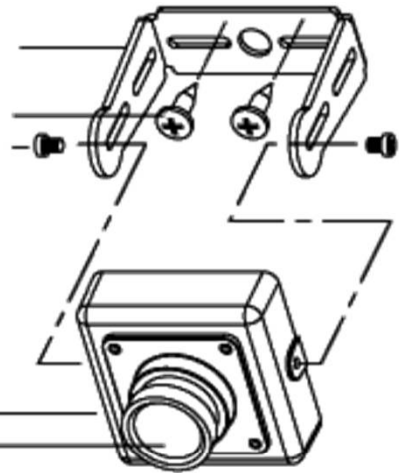
0.2

5/10

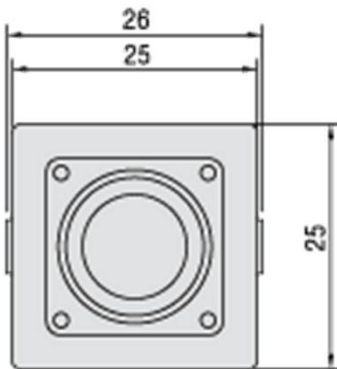
3. CONNECTION



WALL MOUNTING BRACKET
 Ø3 x 8L SCREW
 M2 x 2.5L SCREW



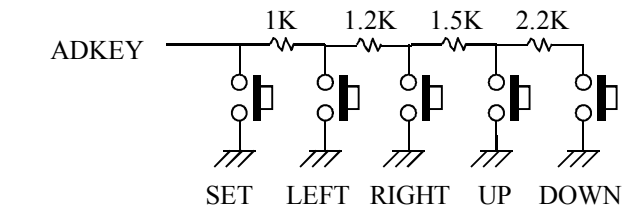
CAMERA LENS



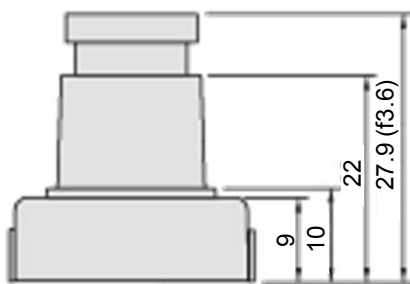
(unit : mm)



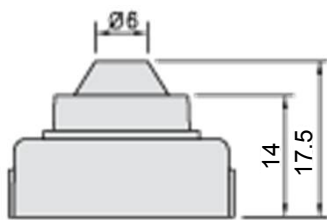
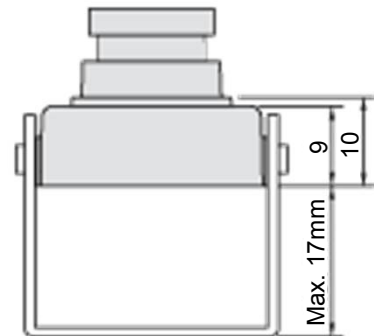
A/D KEY



DC+12V IN
 GND COMMON
 VIDEO OUT



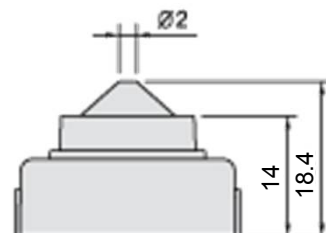
BOARD LENS



PIN HOLE LENS(P1)



PIN HOLE LENS(P3)



PIN HOLE LENS(P4)

VCQ2-F282H

Date of Issue

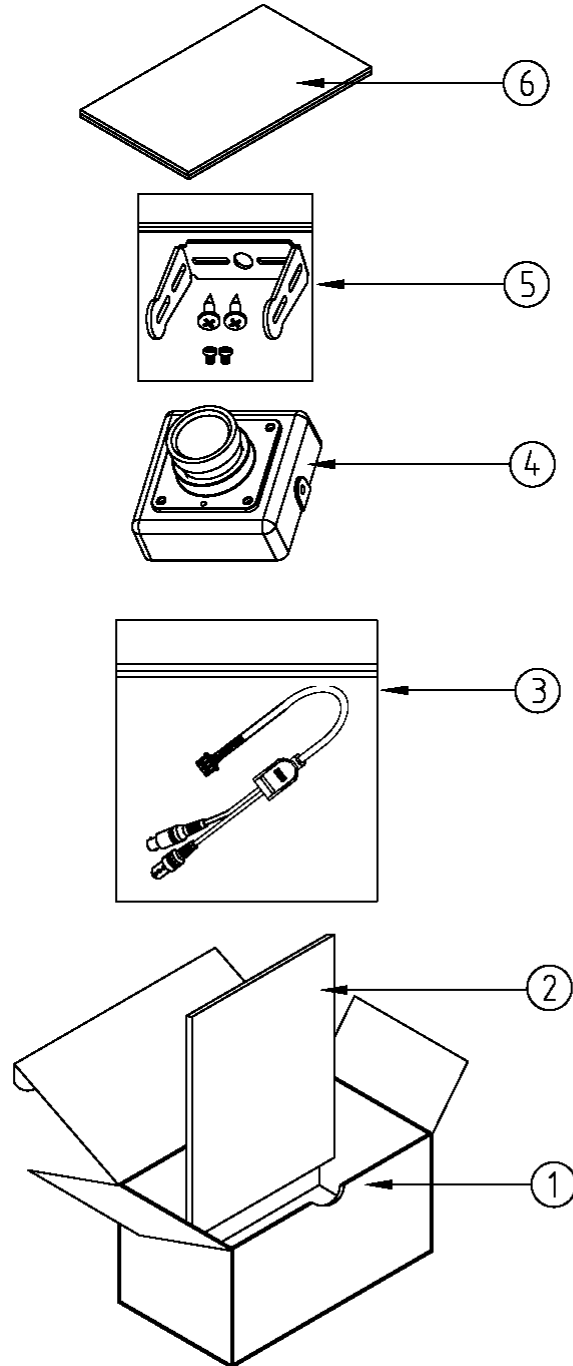
12 Oct, 2017

Revision No.

0.2

6/10

4. PACKING (Unit Box)



NO	DESC
①	BOX
②	E.S.D BAG
③	CABLE
④	SET
⑤	BRACKET
⑥	MANUAL

VCQ2-F282H

Date of Issue

12 Oct, 2017

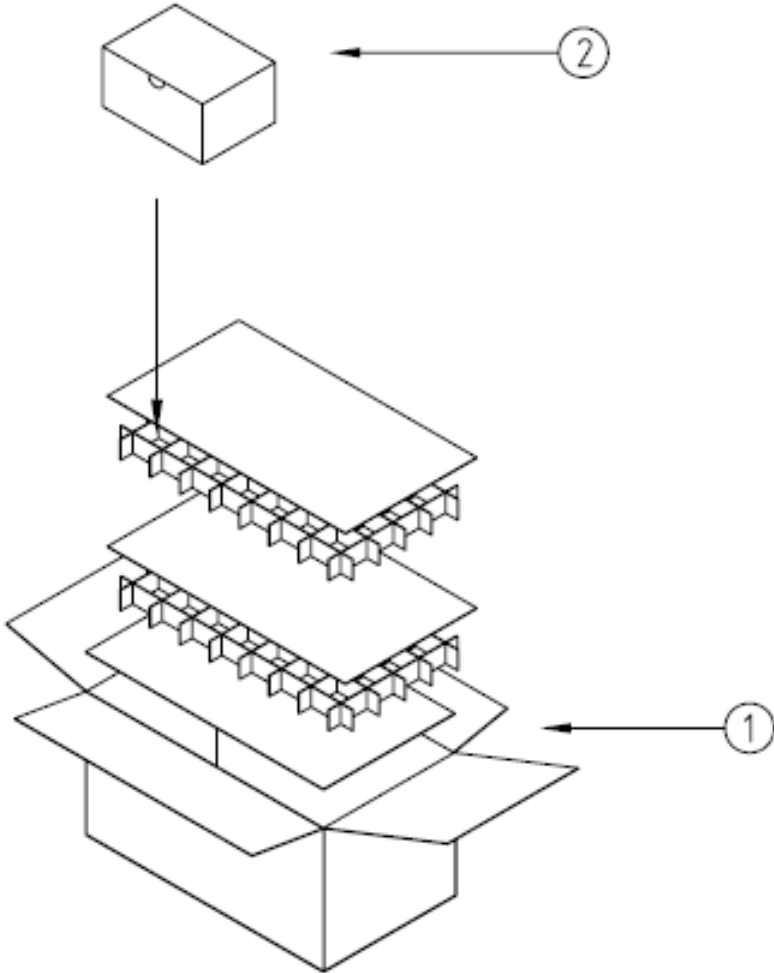
7/10

Revision No.

0.2

5. PACKING (Carton Box)

NO	DESC
①	CARTON BOX
②	UNIT BOX (SET)



VCQ2-F282H

Date of Issue

12 Oct, 2017

Revision No.

0.2

8/10

6. OSD MENU STRUCTURE(1/3)

MAIN MENU	SUB MENU1	SUB MENU2	SUB MENU3	VALUE		
LENS	MANUAL	BRIGHTNESS	-	0 ~ 255		
	DC	BRIGHTNESS	-	0 ~ 255		
		IRIS SPEED	-	0 ~ 15		
EXPOSURE	SHUTTER	-	-	AUTO, 1/60(1/50), FLK, 1/250, 1/500, 1/1000, 1/2000, 1/4000, 1/5000, 1/10000, 1/100000		
	AGC	-	-	OFF, LOW, MIDDLE, HIGH		
	DWDR	OFF	-	-		
		ON	LEVEL	0 ~ 63		
WHITE BAL.	ATW1	-	-	-		
	ATW2	-	-	-		
	AWC ⇄ SET	-	-	-		
	ANTI. CRL	-	-	-		
	MANUAL	COLOR TEMP	-	-	MANUAL, INDOOR, OUTDOOR	
		BLUE	-	-	0 ~ 255(MANUAL ONLY)	
		RED	-	-	0 ~ 255(MANUAL ONLY)	
BACKLIGHT	OFF	-	-	OFF, BLC, HLC		
	BLC	AREA SEL	-	-	AREA1, AREA2	
		AREA STATE	-	-	OFF, ON	
		GAIN	-	-	0 ~ 255	
		HEIGHT	-	-	0 ~ 15	
		WIDTH	-	-	0 ~ 15	
		LEFT/RIGHT	-	-	0 ~ 15	
		TOP/BOTTOM	-	-	0 ~ 15	
	HLC	LEVEL	-	-	0 ~ 255	
		MODE	-	-	ALL DAY, NIGHT ONLY	
		MASK SKIP	-	-	-	OFF, ON
			HEIGHT	-	-	0 ~ 15
			WIDTH	-	-	0 ~ 15
			LEFT/RIGHT	-	-	0 ~ 15
TOP/BOTTOM			-	-	0 ~ 15	

VCQ2-F282H

Date of Issue

12 Oct, 2017

Revision No.

0.2

9/10

6. OSD MENU STRUCTURE(2/3)

MAIN MENU	SUB MENU1	SUB MENU2	SUB MENU3	VALUE	
DAY&NIGHT	AUTO	D⇒N LEVEL	-	16(bright) ~ 224(dark)	
		D⇒N DELAY	-	1, 3, 5, 10,15,20,25,30 (sec)	
		N⇒D LEVEL	-	0(bright) ~ 208(dark)	
		N⇒D DELAY	-	1, 3, 5, 10,15,20,25,30 (sec)	
	B/W	BURST		-	OFF, ON
				-	OFF, ON
		IR SMART	IR GAIN		0 ~ 255
			HEIGHT		0 ~ 15
			WIDTH		0 ~ 15
			LEFT/RIGHT		0 ~ 15
			TOP/BOTTOM		0 ~ 15
	IR LEVEL		-	LOW, HIGH	
	EXT	D⇒N DELAY		-	1, 3, 5, 10,15,20,25,30 (sec)
		N⇒D DELAY		-	1, 3, 5, 10,15,20,25,30 (sec)
COLOR		-	-		
DPC	START		-	-	
	DPC VIEW		-	OFF, ON	
	LS VALUE		-	0 ~ 63	
	DIFF.		-	0 ~ 63	
	AREA HS		-	1 ~ 255	
	AREA HE		-	1 ~ 255	
	AREA VS		-	1 ~ 255	
	AREA VE		-	1 ~ 255	
SPECIAL	CAM TITLE	OFF		-	
		ON		0~9, A~Z, Special Characters	
	MOTION	ON	OFF		-
			AREA SEL		AREA1, AREA2, AREA3, AREA4
			AREA STATE		OFF, ON
			HEIGHT		0 ~ 15
			WIDTH		0 ~ 15
			LEFT/RIGHT		0 ~ 15
			TOP/BOTTOM		0 ~ 15
			DEGREE		0 ~ 255
	VIEW		OFF, ON		
	PRIVACY	ON	OFF		-
			AREA SEL		AREA1,AREA2,AREA3,AREA4, AREA5,ARE A6,AREA7,AREA8
			AREA STATE		OFF, ON
HEIGHT				0 ~ 255	
WIDTH				0 ~ 255	
LEFT/RIGHT				0 ~ 255	
TOP/BOTTOM				0 ~ 255	
COLOR		0 ~ 15			

VCQ2-F282H

Date of Issue

12 Oct, 2017

Revision No.

0.2

10/10

6. OSD MENU STRUCTURE(3/3)

MAIN MENU	SUB MENU1	SUB MENU2	SUB MENU3	VALUE	
SPECIAL	PARK. LINE	OFF	-	-	
		ON	LT	0 ~ 255	
			LB	0 ~ 255	
			RT	0 ~ 255	
			RB	0 ~ 255	
			F	0 ~ 255	
			N	0 ~ 255	
			T	1 ~ 15	
			V1	0 ~ 255	
			V2	0 ~ 255	
			V3	0 ~ 255	
	IMAGE ADJ.	LENS SHAD.	OFF, ON	-	
			LEVEL	0 ~ 255	
			H-CENTER	0 ~ 255	
			V-CENTER	0 ~ 255	
		2DNR	OFF, ON	-	
			LEVEL	0 ~ 15	
		MIRROR	-	OFF, ON	
		FONT COLOR	FONT	0 ~ 15	
			ID&TITLE	0 ~ 15	
		CONTRAST	-	0 ~ 255	
		SHARPNESS	-	0 ~ 31	
		DISPLAY	CRT, LCD, USER	0 ~ 15	
			GAMMA	0 ~ 15 (LCD,USER ONLY)	
			PED LEVEL	0 ~ 63	
			COLOR GAIN	0 ~ 255	
		NEG. IMAGE	LEVEL	OFF, ON	
		COMM ADJ.	CAM ID	-	0 ~ 255
	BAUD RATE		-	2400, 4800, 9600, 19200, 38400, 57600	
	PROTOCOL		-	PELCO-D, PELCO-P, NEXTCHIP	
	DISPLAY ID		-	OFF, ON	
	ID POS		-	-	
	LANGUAGE	-	-	English, Chinese, Spanish, Russian, German, Portuguese, French, Japanese	
	VERSION	-	-	-	
	RESET	FACTORY	-	-	RESET (factory setting)
	EXIT	-	-	-	SAVE, NOT SAVE, RESET
	RETURN	-	-	-	RET, SAVE&END