

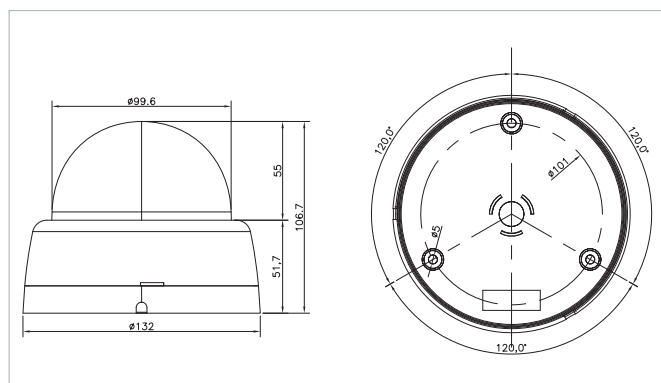
VD102SM3Ti-IR

3MP IR Indoor Dome Camera



Features

- 3.0MP 1/2.8" Sony progressive scan CMOS image sensor
- 2.8–10mm
- 30m IR Beam Distance
- Dual Streaming of H.264 and M-JPEG
- H.264 : 20fps/ 2048x1536, M-JPEG : 20fps/ QVGA
- H.264 : 30fps/ 1920x1080, M-JPEG : 30fps/ QVGA
- Integrated motion detection with pre- and post-alarm image/video buffering
- Event-Triggered FTP and email upload of still images and videos
- Full Duplex Two-Way Audio Support(Optional)
- External microphone input & speaker output connector(Optional)
- Digital PTZ
- UPnP supported
- Micro SD/SDHC card slot, event triggered, scheduled and continuous recording supported
- 1 Port analog video loop-out port
- Supports CBR and VBR modes
- Supports 12VDC/ IEEE 802.3af PoE injectors, mid- and end-spans
- Integrated HTTP Web server supporting 50 simultaneous user connections
- HTTPS supported(Hyper Text Transfer Protocol Secured)
- Integrated E-Mail, FTP, DDNS and DHCP client
- Extensive CGI API for software integration and remote programming operations
- Window based IP installer and license-free 16 CH NVR software
- Tool-free 3-Axis



MODEL	VD102SM3Ti-IR		
Classification	Specification		
General	CPU	32-bit ARM9 RISC CPU up to 432MHz	
	Video Buffer	16Mbyte Video Frame Buffer	
	Flash	128Mbyte	
	SDRAM	128Mbyte	
Image Pickup	Image sensor	3.0 Megapixel 1/2.8" SONY progressive scan CMOS image sensor	
	Total Pixels	2144(H) x 1588(V) 3.4 Megapixel	
	Effective Pixels	2096(H) x 1561(V) 3.27 Megapixel	
	S/N Ratio	More than 50dB	
	Min. Illumination	0Lux (IR On)	
	IR Distance	30m	
	Day & Night	ICR	
	Lens Control	DC Iris	
Video	Lens	2.8~10mm	
	Video compression	H.264 baseline profile, Motion JPEG	
	Resolutions	Up to 2048 x 1536	
	Frame rate	H.264	Up to 15fps with 2048x1536
		MJPEG	Up to 30fps with 1080p resolution
	Video streaming	Support multi stream with H.264, MJPEG	
		Adjustable frame rate	
	Par/Tilt/Zoom	VBR/CBR in H.264	
		Digital PTZ	
	Image setting	Day & Night	
Auto White Balance			
Auto Exposure			
Privacy Mask			
Output	Effect - Color, Sharpness, Mirror/V-Flip, etc.		
	BNC x1, 1.0Vp-p, 75 ohm Composite Video, NTSC/PAL		
Audio (Option)	Audio streaming	Two-way, full duplex	
	Audio compression	G.711	
	Sample Rate	8KHZ	
	Data Rate	64Kbps	
	Audio input	Microphone input / 1 x Line-In (Mono)-Option	
	Audio output	Line output/ 1 x Line-Out (Mono)-Option	
Network	Security	Password protection	
		User access log	
	Supported protocol	HTTPS encryption	
System integration	Intelligent video	HTTP, HTTPS, FTP, SMTP, UPnP, DNS, DynDNS, NTP, RTSP, RTP, TCP, UDP, ICMP, DHCP	
	Alarm trigger	Motion detection up to 1920x1080 with 32x24 blocks	
		Motion detection	
	Alarm events	External input/Normal Open/Close Type	
		File upload via ftp, e-mail	
	Video buffer	Notification via email, FTP and TCP	
		16MB pre-alarm and post-alarm	
	Recording	Save to Micro SD/SDHC card with event mode and continuous mode	
	Firmware upgrade	Remote upgrade via network	
	API	CGI Interface document	
ActiveX Interface(ocx(dll) + document)			
Physical	Reset Button	1 x Factory Reset Button	
	Power Source	DC 12V/1.5A, PoE(Power over Ethernet): 802.3af	
	Power Consumption	Max. 5.5W, Max. 7.2W with IR On	
	Net Weight	520g	
	LED's	Power, Network Connection	
Environment	Dimension	132(Ø) x106.7(H)	
	Operating Temperature	-10 degree~50 degree Celsius (14F~122F)	
Software Package	Storage Temperature	-20 degree~60 degree Celsius (-4F~140F)	
	Included Software	NVR Lite (16 Channel), IP Installer (Windows Only)	
Package Contents	Network Camera, Use Manual, External Power Adaptor, Software CD		