

## VN7XSM2Ti

2 Megapixel X12 Zoom IR Bullet Outdoor Camera

**Smart Focus Lens Inside  
X12 Zoom**



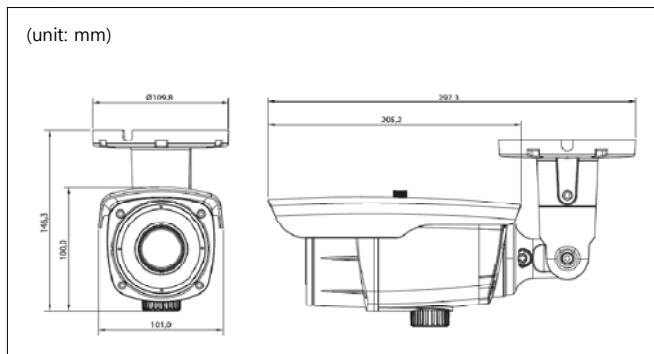
**Smart Focus** 



### Key Features

- \* 2 Mega pixel 1/2.8" SONY progressive scan CMOS image sensor for excellent image quality (Exmor)
- \* 5~60mm Smart Focus Lens
- \* 70M IR Beam Distance
- \* Multi Streaming of H.264 and MJPEG
- \* Supports image resolution up to 1920x1080 (FHD)
- \* Full HD (1920x1080:1080p) 30fps
- \* Supports CBR and CVBR modes
- \* Controllable frame rate
- \* Privacy Masking up to 8 areas
- \* **Supports WDR, Defog, 2D+3DNR, Smart IR**
- \* Digital PTZ
- \* 12VDC (Option : IEEE802.3af POE)
- \* Conformant with ONVIF
- \* Includes Windows based IP Installer and license-free 16 channel NVR(Network Video Recorder) software

### Dimensions



## IP Bullet Outdoor Camera

### Specifications

Model	VN7XSM2Ti		
General	CPU	32-bit ARM9 RISC CPU up to 432MHz	
	Flash	128 Mbyte	
	SDRAM	128 Mbyte	
Camera	Image sensor	2.0 Megapixel 1/2.8" SONY progressive scan CMOS(Exmor)	
	Total Pixels	1952(H) x 1116(V) 2.18 Megapixel	
	Effective Pixels	1944(H) x 1104(V) 2.15 Megapixel	
	S/N Ratio	More than 50dB	
	Min. Illumination	0Lux (IR On)	
	IR Distance	70M	
	Day & Night	ICR	
	Lens	5~60mm Smart Focus	
Video	Video compression	H.264 High Profile@4.0, MJPEG -Image quality: 3 Steps	
	Resolutions	Up to 1920 x 1080 (FHD)	
	Frame rate	H.264 Up to 30fps with 1920x1080 MJPEG Up to 30fps with VGA resolution	
	Video streaming	Support multi stream with H.264, MJPEG, Adjustable frame rate CVBR/CBR in H.264	
	Pan/Tilt/Zoom	Digital PTZ	
	Image setting	Day & Night Auto White Balance Auto Exposure Privacy Mask WDR(Low/Middle/High) Defog(On/Off), Smart IR (Off / 0~15) 3DNR(On/Off) Effect - Color, Sharpness, Mirror/V-Flip, etc.	
	Output (Optional)	BNC x1	
	Alarm In/Out (Optional)	In: 1, Out: 1	
	Audio (Optional)	Audio Streaming	Two Way
		Audio Compression	G.711
Network System integration	Sample Rate	8KHz	
	Security	Password protection, User access log, HTTPS encryption	
	Supported protocol	HTTP, HTTPS, FTP, SMTP, UPnP, DNS, DDNS, NTP, RTSP, RTP, TCP, UDP, ICMP, DHCP	
	Intelligent video	Motion detection up to 1920x1080 with 4x3 blocks	
	Alarm events	File upload via ftp, E-mail, Notification via email, FTP and TCP	
	Video buffer	5MB pre-alarm and 180 sec (max) post-alarm	
	Firmware upgrade	Remote upgrade via network	
API	CGI Interface document, ActiveX Interface(ocx(dll) + document)		
Physical	Power Source	DC12V/1.5A, PoE(Power over Ethernet): 802.3af-Optional	
	Storage	Micro SD Slot - Optional	
	Power Consumption	Max. 11W with IR	
	Net Weight	1500g	
	LED's	Power, Network Connection	
Environment	Dimension	101mm(W) x 108.7mm(H) x 297mm(D) including Bracket	
Software Package	Operating Temperature	-10 degree~50 degree Celsius(14F~122F)	
	Storage Temperature	-20 degree~60 degree Celsius(-4F~140F)	
	Included Software	NVR C/S (16 Channel), IP Installer (Windows only)	
	Package Contents	Network Camera, User Manual, External Power Adaptor (optional), Software CD	

\* Specifications are subject to change without prior notice.