

VNP41155TR

Full HD 2 Megapixel 30x IP IR PTZ Camera

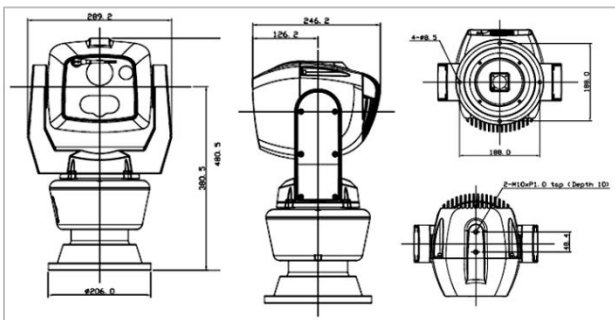
X30 Zoom



Key Features

- 2 Megapixel Full HD
- X30 Auto Focus Zoom and Digital X12 Zoom, totally x 360 Power Zoom capability
- 360 degree endless panning
- Powerful night vision up to 300M view
- High-performance & Low-noise Wiper with anti-abrasion soft silicon rubber
- Hydro-phobic surface coated flat glass
- Anti-corrosion, anti-salt water powder coated surface finish
- WDR
- DEFOG (Embedded and adjustable defogger or image-enhancer)
- H.264: 30fps/1080p, MJPEG: 30fps/D1
- Integrated motion detection with pre- and post alarm image/video buffering
- Event-triggered FTP and email upload of still images and videos
- Full Duplex two way Audio support
- UPnP supported
- HTTPS supported (Hyper Text Transfer Protocol Secured)
- Integrated E-mail, FTP, DDNS and DHCP client
- Extensive CGI API for software integration and remote programming operations
- IP68 rated Weather resistant
- AC24V/2.5A

Dimensions (Unit :mm)



IP Night Vision – X30 PTZ

Specifications

MODEL	VNP41155TR
Camera	
Image sensor	1/2.8" 2.0 Megapixel Progressive scan CMOS Exmor
Day & Night	Auto/Color/BW/EXT(CDS)/Time
Environment	IP68
Optical Zoom	30X
Digital Zoom	12X
Lens	30x AF zoom (f4.3~f129mm (F1.6~F4.7))
IR Distance	300M
Min. illumination	0 Lux with IR
Pan / Tilt	Pan: 360 Endless (120 deg/sec) Tilt: -40~100 deg (Auto flip) (90 deg/sec) Special: On display mouse control (Remote control)
WDR/BLC	ON/OFF
Noise Reduction	ON/OFF (Level 5 to 1/Off, 6steps)
White Balance	Auto/ ATW/ One push/ Manual WB/ Indoor/ Outdoor/ etc
Video	
Video compression	H.264 High Profile, Motion JPEG
Resolutions	Up to 1920 x 1080 (Full HD)
Frame rate	H.264 Up to 30fps with 1920x1080 MJPEG Up to 30fps with D1 resolution
Video streaming	Support multi stream with H.264, MJPEG Adjustable frame rate CVBR/CBR in H.264
Image Setting	Day & Night
	Auto White Balance
	Auto Exposure
	Effect - Color, Sharpness, Mirror/ V-Flip, etc.
	Privacy Mask
Audio / Alarm (Optional)	
Audio Streaming	Two Way, Full Duplex
Audio Compression	G.711
Sample Rate	8KHz
Data Rate	64Kbps
Audio input	Microphone input/1 x Line-in (Mono)
Alarm In/Out	In: 1, Out: 1 (Mono)
System Integration	
Security	Password Protection, User access log, HTTPS encryption
Supported protocol	HTTP, HTTPS, FTP, SMTP, UPnP, DNS, DDNS, NTP, RTSP, RTP, TCP, UDP, ICMP, DHCP
Intelligent video	Motion detection up to 1920x1080 with 4x3 blocks
Alarm events	File upload via ftp, E-mail, Notification via email, FTP and TCP
Video buffer	5MB pre-alarm and post-alarm
Recording	Saves to MicroSD Card with event mode and continuous mode
Firmware upgrade	Remote upgrade via network
API	CGI Interface document, ActiveX Interface(ocx/dll) + document
Physical	
Reset Button	1 x Factory Reset Button
Power Source	AC 24V/3.0A
Power Consumption	Max. 50W
Weight (Appr.)	12.5Kgs
LED's	Network Connection (Side)
Wiper	AUTO/ON/OFF
Dimension(mm)	481(H) x 289(W)
General	
Operating Temperature	-30 degree~60 degree Celsius
Storage Temperature	-40 degree~60 degree Celsius
Software	
Included Software	NVR C/S (16 Channel), IP Installer (Windows only)
Package Contents	Network Camera, User Manual, Software CD, External Power Adaptor (optional)
Output Cable	AC24V (+) / AC24V (-) LAN Cable (RJ45) Jack RS485 (+) / RS485 (-) ALARM IN (#1), ALARM IN (#2) ALARM OUT(COM), ALARM OUT (NO) AUDIO IN/ GND/ OUT

* Specifications are subject to change without prior notice.