

VPD101PM2Ti

2 Megapixel Full HD x10 Mini PTZ IP Camera



VPD101-O (Outdoor)



Surface



Flush

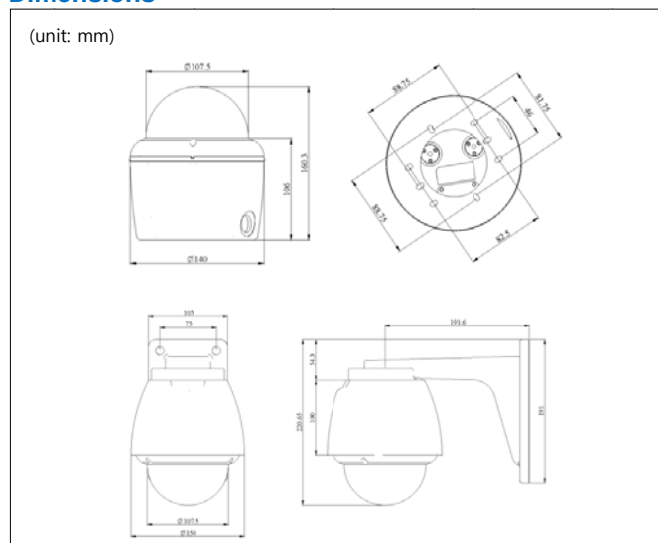
VPD101-I (Indoor)



Key Features

- * 2 Mega pixel 1/2.8" SONY progressive scan CMOS image sensor for excellent image quality (Exmor)
- * Supports image resolution up to 1920x1080 (FHD)
- * 10x Auto Focus Optical Zoom
32x Digital Zoom
- * Supports WDR, Defog, 2D/3DNR(Digital Noise Reduction)
- * 360 degree endless panning
- * H.264: 30fps/1080p, M.JPEG: 30fps/VGA
(WDR On : 15fps/1080p, 15fps/VGA)
- * 12VDC/PoE(IEEE802.3af) Supported
(or FAN/Heater Supported) Self-assembly
- * Conformant with ONVIF
- * Includes Windows based IP Installer and license-free 16 channel NVR(Network Video Recorder) software

Dimensions



Full HD Mini PTZ IP Camera

Specifications

Model	VPD101PM2Ti		
General	CPU	32-bit ARM9 RISC CPU up to 432MHz	
	Flash	128Mbyte	
	SDRAM	128 Mbyte	
Image Pickup	Image sensor	2.0 Megapixel 1/2.86" Panasonic CMOS sensor	
	Total Pixels	1,956(H) x 1,266(V) 2.4 Megapixel	
	Effective Pixels	1,944(H) x 1,212(V) 2.3 Megapixel	
	Zoom Ratio	Optical x10, Digital x32 Zoom	
	Focal Length	F= 5.1mm ~ 51mm	
	S/N Ratio	More Than 50dB	
	Min. Illumination	Color: 0.5 Lux, B/W: 0.1 Lux Color DSS: 0.002 Lux, B/W DSS: 0.001 Lux	
	Day & Night	Auto/Day/Night	
	AGC	Off/On	
	Shutter Speed	1/30(25)~1/60,000 sec	
	WDR/BLC	OFF/WDR/BLC	
	White Balance	Auto/Open Push/Manual/Indoor/Outdoor	
DNR	Auto/Off/Low/Middle/High		
Pan/Tilt Operation	Pan	360°(300°/sec)	
	Tilt	-3° ~ 180°(300°/sec)	
Video	Video Compression	H.264 High profile @Level4.0, Motion JPEG	
	Resolutions	Up to 1920 x 1080	
	Frame rate	H.264	Up to 30fps with 1920x1080P
		MJPEG	Up to 30fps with VGA resolution
	Video streaming	Support multi stream with H.264, MJPEG	
		Adjustable frame rate CVBR/CBR in H.264	
	Image setting	Day & Night	
		Auto White Balance	
		Auto Exposure	
		Privacy Mask	
Effect-Color, Sharpness, Mirror/V-Flip, etc.			
Audio(Optional)	Audio Streaming	Two-way, full duplex	
	Audio input	Microphone input / 1 x Line-In(Mono)	
	Audio Output	Line output/ 1 x Line-Out (Mono)	
Alarm(Optional)	Alarm In/Out	DI X2, DO X1	
Network	Security	Password Protection User access log HTTPS encryption	
	Supported protocol	HTTP, HTTPS, FTP, SMTP, UPnP, DNS, DynDNS, NTP RTSP, RTP, TCP, UDP, ICMP, DHCP	
System Integration	Intelligent video	Motion detection 4x3 blocks	
	Alarm trigger	Motion detection	
	Alarm events	File upload via ftp, e-mail Notification via email, FTP and TCP	
	Video buffer	5MB pre-alarm and post-alarm-180sec	
System Integration	Firmware upgrade	Remote upgrade via network	
	API	CGI Interface document ActiveX Interface(ocx(dll)+document)	
Etc	Reset Button	1 x Factory Reset Button	
Backup	Memory Slot	Micro SD/SDHC Socket	
	Power Source	DC 12V/3A, PoE(Power over Ethernet): IEEE802.3af	
Physical	Power Consumption	Max. 11W	
	Net Weight	1,650g Appr. (Camera Only)	
	LED	Network Connection	
	Dimension	140(Ø) X 160.3(H)	
Environment	Operating Temperature	-20 degree~50 degree Celsius(14F~122F)	
	Storage Temperature	-30 degree~60 degree Celsius(-4F~140F)	
	Protection level	IP66,Surge Protection(4KV)	
Package Contents	User Manual, External Power Adaptor, Software CD		

* Specifications are subject to change without prior notice.

Ordering information

Type	Series	Environment
VPD	101	X
Speed Dome	101 = Auto Focus (32x Digital)	None = Outdoor (default: Wall mount bracket) CB = Outdoor (with Ceiling mount bracket)

Accessories

Model No.	Series
WB200	Wall mount bracket
CB200	Ceiling mount bracket
PM200	Pole mount bracket
CM200	Corner mount bracket