

DQ2-2052W

Date of Issue

5 APR. 2021

1/9

Revision No.

0.1

APPROVAL SHEETS

DESCRIPTION : **5Mega Pixels 4in1 WDR SQUARE CAMERA**

MODEL NO. : **DQ2-2052W**

Customer

APPROVED	CHECKED	ISSUED



DynaLogic Co., Ltd

DQ2-2052W	Date of Issue	5 APR. 2021	2/9
	Revision No.	0.1	

DQ2 - F 2 0 5 2W - OSD

①

②

③

④

①	Miniature Square Camera
②	F : Board lens P : Pinhole lens
③	Board Revision No.
④	OSD ; Cable with OSD key

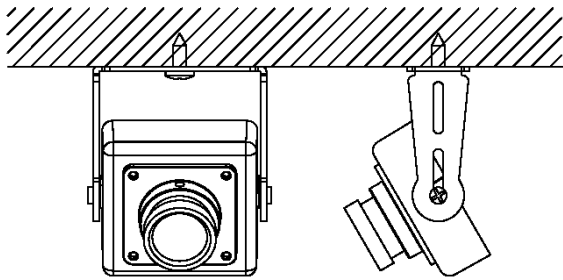
CONTENTS

	PAGE
1. MODIFICATION RECORD -----	3
2. GENERAL SPECIFICATIONS -----	4
3. CONNECTION -----	5
4. PACKING(Unit Box) -----	6
5. PACKING(Carton) -----	7
6. OSD MENU STRUCTURE -----	8

2. GENERAL SPECIFICATIONS

Camera	Image Device	1/2.8 type SONY CMOS (IMX3335)
	Scanning System	Progressive Scan
	Total Pixels	2704(H) x 2104(V) : 5.69Mega pixel
	Effective Pixels	2616(H) x 1964(V) : 5.14Mega pixel
	Lens	Board, Pinhole (M12)
	Min. Illumination	Color: DSS: 0.007 Lux, BW DSS: 0.007 Lux
	Sync System	Internal
	Electronic Shutter	NTSC : 1/30~1/30,000sec, PAL : 1/25~1/25,600sec
ISP	Manufacture	EYENIX (EN781)
Lens	Mount (M12)	Fixed Lens f=3.6mm/ Pinhole Lens f=3.7mm (P4)
Video	Output	AHD/ TVI/ CVI or CVBS (NTSC / PAL) *w/o UTC Function
	Resolution& frame rate	(5MP) 1944@20p/12.5p, (4MP) 1440@30p/25p/15p, (2MP) 1080@30p/25p, (1MP) 720@30p/25p
OSD	On Screen Display	Cable OSD Key (Option)
	Language	English, Chinese, Chinese(S), Japanese, Korean, Russian
	LENS	MANUAL
	EXPOSURE	BRIGHTNESS/ AGC/ SHUTTER MODE & SPEED/ SENS-UP
	WHITE BALANCE	AUTO/AUTO EXT/PUSH LOCK/MANUAL
	BACKLIGHT	OFF/ HLC/ BLC/ WDR
	DNR	OFF/ LOW/ MIDDLE/ HIGH
	DAY&NIGHT	AUTO/ COLOR/ B&W/EXTERN IR
		SMART IR
	IMAGE	SHARPNESS/ COLOR LEVEL/ MIRROR/ FLIP/ LENS SHADING/ GAMMA/ D-ZOOM / ACE/ DEFOG
SPECIAL	COMM. ADJUST/ PRIVACY/ MOTION DETECT	
Others	Operating Temperature	32°F~158°F (0°C~+70°C)
	Storage Temperature	-40°F~257°F (-40°C~+125°C)
	Humidity	Less than 80%
	Power Consumption	DC12V(±10%), Max.120mA
	Options	Lens, Cable OSD function

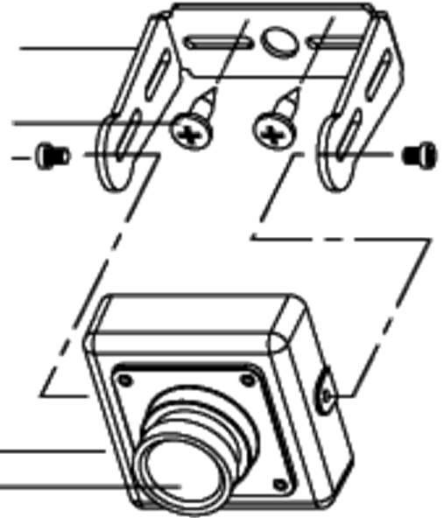
3. CONNECTION



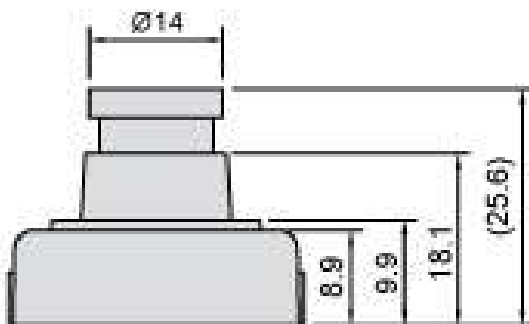
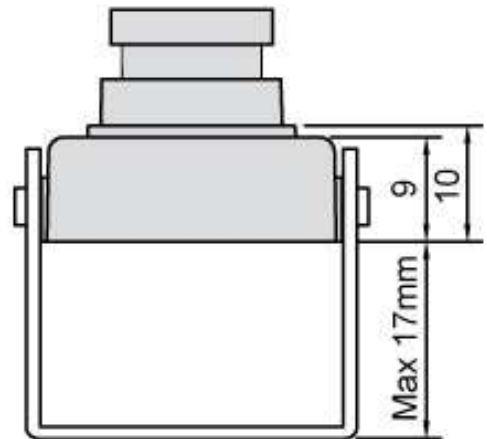
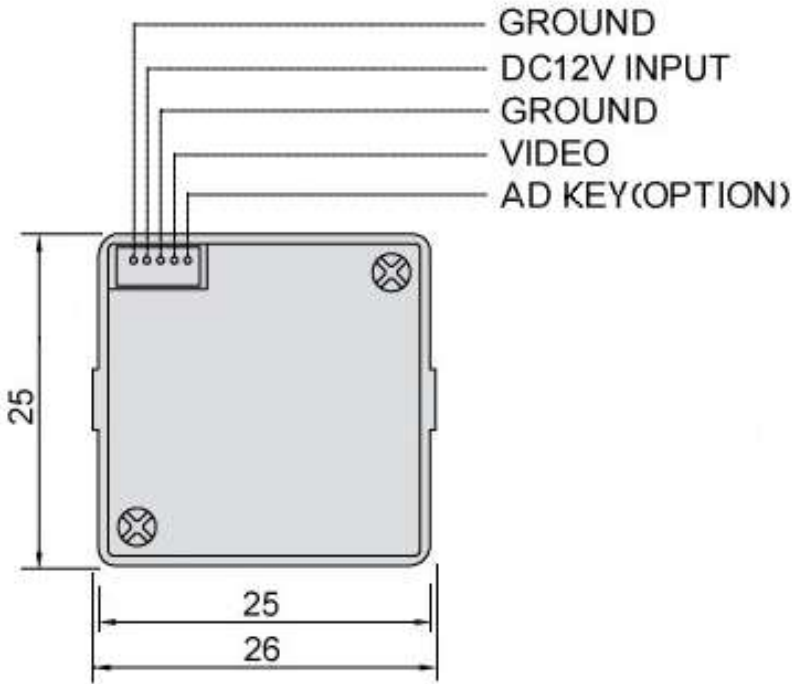
WALL MOUNTING BRACKET

Ø3 x 8L SCREW

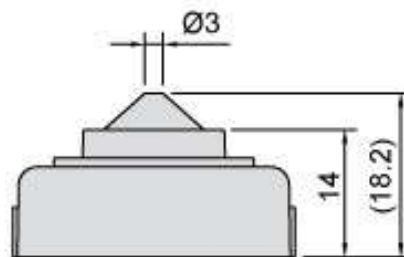
M2 x 2.5L SCREW



CAMERA LENS



BOARD LENS

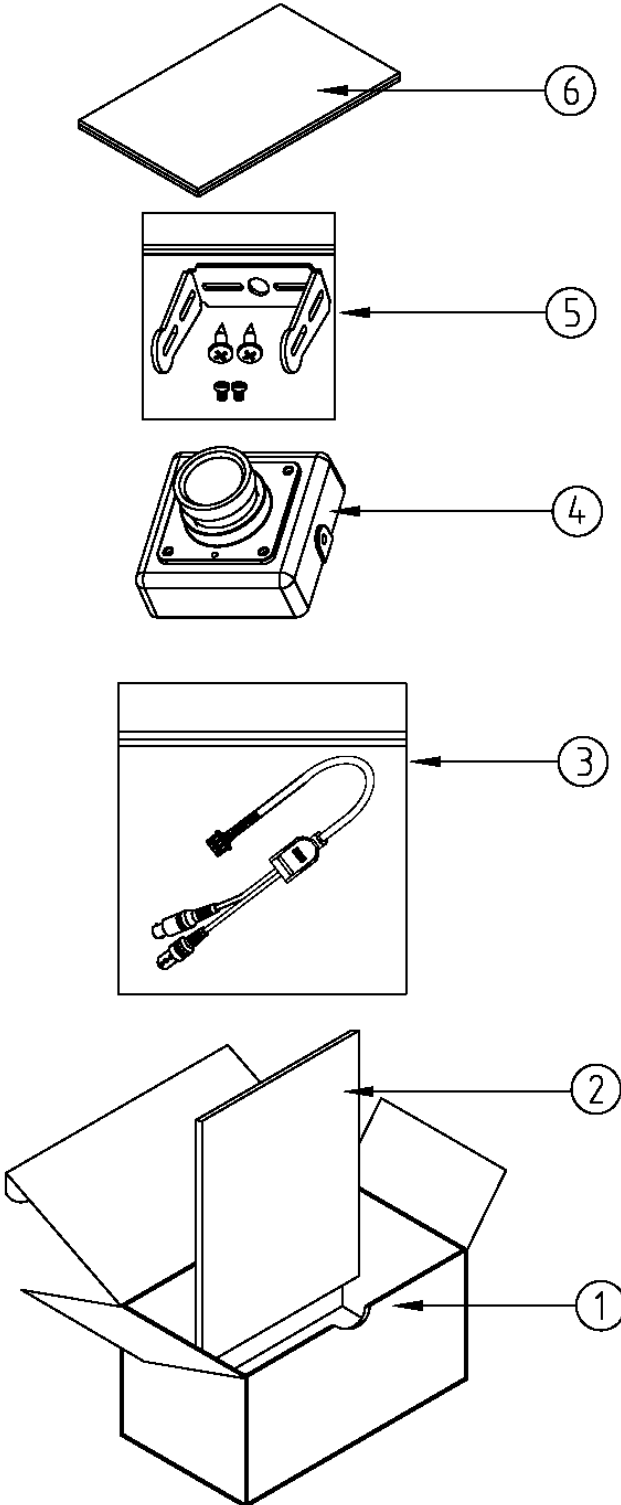


PINHOLE LENS(P4)

OSD Cable



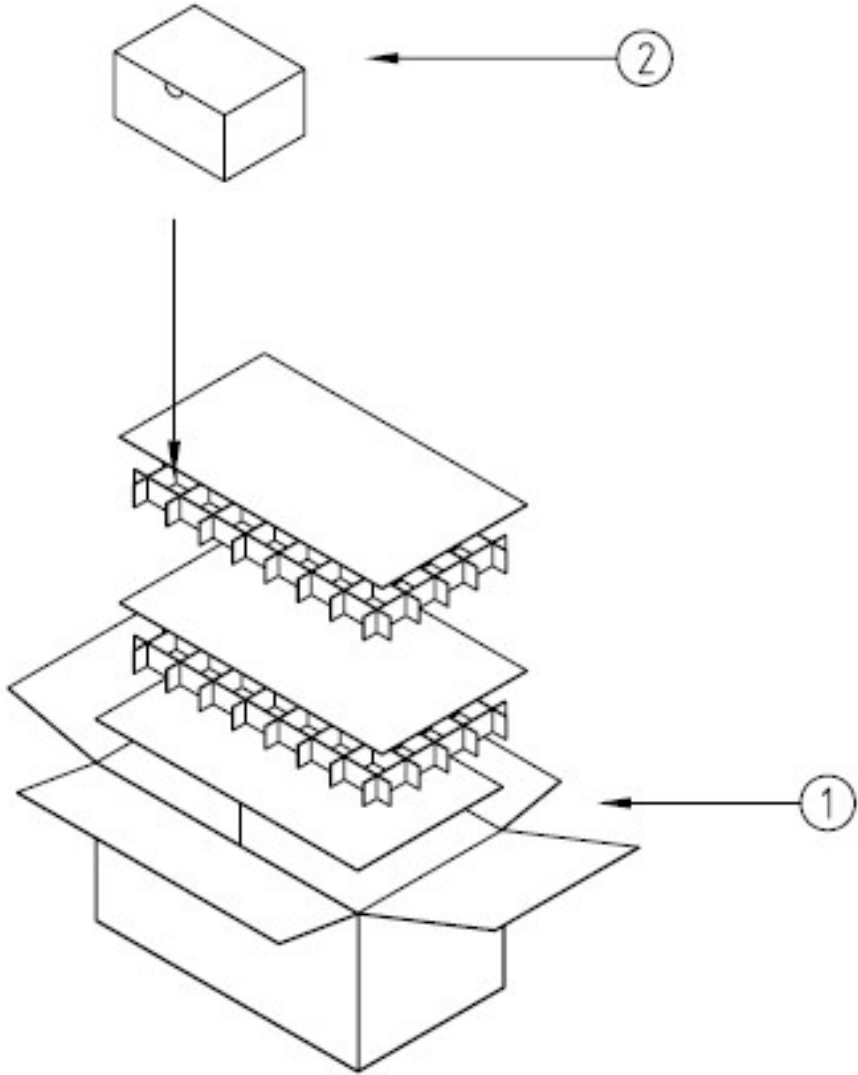
4. PACKING (Unit Box)



NO	DESC
①	BOX
②	E.S.D BAG
③	CABLE
④	SET
⑤	BRACKET
⑥	MANUAL

5. PACKING (Carton Box)

NO	DESC
①	CARTON BOX
②	UNIT BOX (SET)



6. OSD MENU STRUCTURE(1/2)

SETUP MENU	SUB MENU1	SUB MENU2	SUB MENU3	VALUE	
LENS				MANUAL/DC	
MOTORIZED	AF MODE			ONE SHOT / MANUAL	
	D&N FILIER			SYNC OFF/ON	
	INITIAL			ON	
EXPOSURE	BRIGHTNESS			0 ~ 20	
	SHUTTER MODE	AUTO		NORMAL, DEBLUR	
		MANUAL			
		FLICKERLESS			
	SHUTTER SPEED			1/30(25),60(50),120(100),250(200),500(400),1K(800),2K(1.6K), 4K(3.2K),8K(6.4K),15K(12.8K),30K(25.6K)	
	SENS-UP			OFF/ X2/ X4/ X8 / X16 / X32	
AGC			0 ~ 20		
WHITE BALANCE	AUTO				
	AUTO EXT				
	PUSH LOCK			Press ENTER key	
	MANUAL	COLOR TEMP.			3000K/ 5000K/ 8000K
		R-GAIN			0 ~ 20
B-GAIN				0 ~ 20	
BACKLIGHT	OFF				
	HLC	LEVEL		0 ~ 20	
		COLOR			BLK,WHT,YEL,CYN,GRN,MAG,RED,BLU
	BLC	H-POS			0 ~ 26
		V-POS			0 ~ 32
		H-SIZE			0 ~ 26
		V-SIZE			0 ~ 32
		WDR MODE			FRAME
	WDR	ROI MODE (BOX)	WINDOW SEL		0 ~ 3
			WINDOW MODE		OFF/ ON
			H-POS.		0 ~ 2608
			V-POS.		0 ~ 1960
			H-SIZE		0 ~ 2608
			V-SIZE		0 ~ 1960
		ROI MODE (POLYGON)	WINDOW SEL		0 ~ 3
WINDOW MODE				OFF/ ON	
POS0-X ~ POS3-X				0 ~ 1326	
POS0-Y ~ POS3-Y				0 ~ 990	
WEIGHT			LOW/ MIDDLE/ HIGH		
DNR			OFF/ LOW/ MIDDLE/ HIGH		
DAY&NIGHT	AUTO	DWELL TIME		0 ~ 9sec, 1sec/step	
		D>N THRES		0(bright) ~ 20(dark)	
		N>D THRES		0(bright) ~ 20(dark)	
	COLOR				
	B&W				
	EXTERN / IR	DWELL TIME			0 ~ 9sec, 1sec/step
		CDS POLARITY			LOW/HIGH
SMART IR				OFF/ ON	
SMART IR LEVEL				0 ~ 20	
IMAGE	SHARPNESS			0 ~ 10	
	COLOR LEVEL			0 ~ 20	
	MIRROR			OFF/ ON	
	FLIP			OFF/ ON	
	LENS SHADING	OFF/ ON		WEIGHT 0~100%	
	GAMMA			0.45/ 0.55/ 0.65/ 0.75	
	D-ZOOM			1~16X	
	ACE			OFF/LOW/ MIDDLE/ HIGH	
DEFOG	OFF/ON	AUTO/MANUAL	LOW/ MIDDLE/ HIGH		

6. OSD MENU STRUCTURE(2/2)

SPECIAL	COMM. ADJUST	CAM ID		0 ~ 255		
		BAUDRATE		2400,4800,9600,19200,38400,57600,115200		
		PROTOCOL		PELCO-D, D-LOGIC		
	PRIVACY	BOX		OFF/ON		
			MASK SEL		0 ~ 15	
			MASK MODE		OFF/ ON	
			H-POS		0 ~ 81	
			V-POS		0 ~ 61	
			H-SIZE		0 ~ 81	
			V-SIZE		0 ~ 61	
			Y LEVEL		0 ~ 20	
			CB LEVEL		0 ~ 20	
			CR LEVEL		0 ~ 20	
			TRANS		0 ~ 3	
			POLYGON		OFF/ON	
				MASK SEL		0 ~ 7
		MASK MODE			OFF/ ON	
		POS0-X ~ POS3-X			0 ~ 162	
		POS0-Y ~ POS3-Y			0 ~ 122	
		Y LEVEL			0 ~ 20	
		CB LEVEL			0 ~ 20	
		MOTION		OFF/ON		
			DET WINDOW	WINDOW SEL		0 ~ 3
	WINDOW MODE				OFF/ ON	
	DET H-POS				0 ~ 60	
	DET V-POS				0 ~ 34	
	DET H-SIZE				0 ~ 60	
DET V-SIZE				0 ~ 34		
SENSITIVITY			0 ~ 10			
MOTION OSD			OFF/ON			
TEXT ALARM			OFF/ ON			
OUTPUT	FRAME RATE			(5MP) 1944@20p/12.5p, (4MP) 1440@30p/25p/15p, (2MP) 1080@30p/25p, (1MP) 720@30p/25p		
	FREQ			60Hz(NTSC)/50Hz(PAL)		
	SDI MODE			OFF		
	ANALOG MODE			OFF/CVBS/HDT/HDC/HAD		
	CONFIRM		YES (Press ENTER key)			
	LANGUAGE		ENG/ CHINESE/ CHINESE(S)/ JAPANESE/ KOR/ Russian			
	CAM TITLE	OFF				
		RIGHT UP		0 ~ 9, A ~ Z, blank		
		LEFT DOWN		0 ~ 9, A ~ Z, blank		
FACTORY DEFAULT	FACTORY DEFAULT		ON			
EXIT			Exit SETUP menu			

To open the Menu, Hold down the Center Key

Up + Up + Up + Enter : HDA ON
 Down + Down + Down + Enter : HDC ON
 Right + Right + Right + Enter : HDT ON
 Left + Left + Left + Enter : CVBS ON