

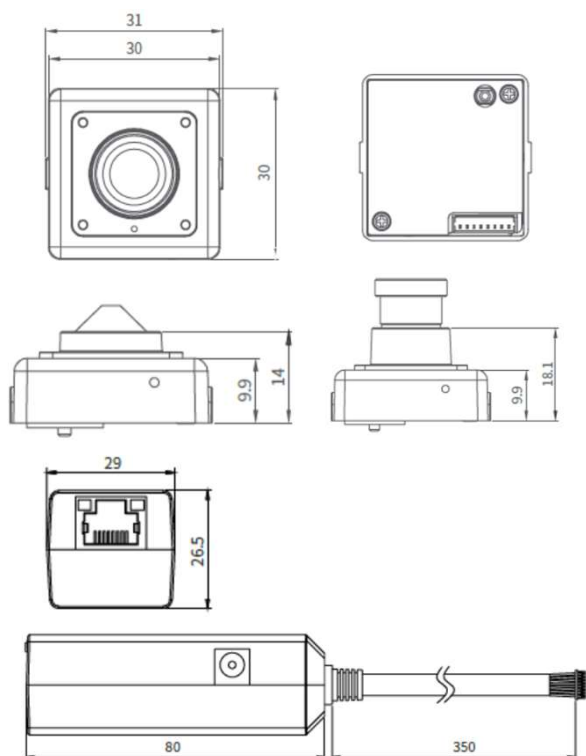
# DQ3-F6330HMi



## Features

- 1/2.8" 2.13MP SONY STARVIS CMOS
- Full HD 1080p@30
- H.264 Main/Baseline Profiles
- Fast boot up based on RTOS
- Electronic Day&Night
- 3D DNR,DSS,BLC,WDR
- 12VDC/PoE (IEEE802.3af)

## Dimensions



## Options

- Lens : Fixed f=3.6mm, 2.8mm, 6.0mm  
 f=8.0mm  
 Pinhole P4 3.7mm, 4.3mm

## Specifications

Video	
Image Sensor	1/2.8" Progressive Scan SONY STARVIS CMOS
Effective Pixel	1945 (H) × 1097 (V) approx. 2.13 M pixels
Scanning	Progressive Scan
Min.Illumination	0.05Lux(F2.5,DSS off)/0.01Lux(DSS On)
S/N Ratio	≤50dB
Video Output	Network
Lens	Fixed Lens, Pinhole Lens
Operational	
White Balance	Auto,3000K,5000K,8000K
WDR	Double Shutter WDR (116dB(Estimated))
Shutter Speed	1/25(30) ~ 1/30,000
AGC	Off ~ 69dB
Day&Night	Auto/COLOR/B&W(Electronic D&N)
DSS	Off ~ x32
Noise Reduction	2D, 3D DNR
Motion Detection	60*34 Motion Block, upto 4 Zones
Privacy Masking Zone	16 Zones
Alarm	Motion
Network	
Ethernet	10/100 Base-T Ethernet
Video Codec	H.264 Baseline,Main Profile,MJPEG
Resolution	1920*1080,1280*720,800*600,704*480, 704*400,640*480,640*360,320*240
Max. Frame rate	First : 1080p30(25)fps (H.264) Second : 640*360 30(25)fps (H.264) Third : 1080p 30(25)fps (MJPEG)
Streaming Capability	Multiple Streaming(Up to 3 Profiles)
Streaming Method	Unicast
Bitrate Control	H.264 : CBR,VBR,CVBR
MAX. User Access	5
IP	IPv4
Protocol	HTTP,HTTPS,UPnP,DNS,DDNS,RTP/ RTSP,TCP/IP,UDP,DHCP,RARP,NTP
Web Viewer	Internet Explorer,Edge,Safari,Firefox,Chrome
SW Integration API	Onvif
Dimensions	30 * 30 (mm)
Weight	Approx.79.6g (with PoE Cable)
Environmental	
Operation Temperature	-10°C~ + 55°C (14°F ~ 122°F)
Storage Temperature	-20°C~ + 60°C (4°F ~ 140°F)
Supply Voltage	12VDC(±10%),PoE(IEEE802.3af)
Power Consumption	12VDC(Max.190mA), PoE(Max.3.0W)