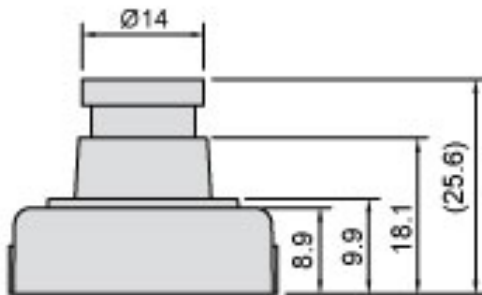
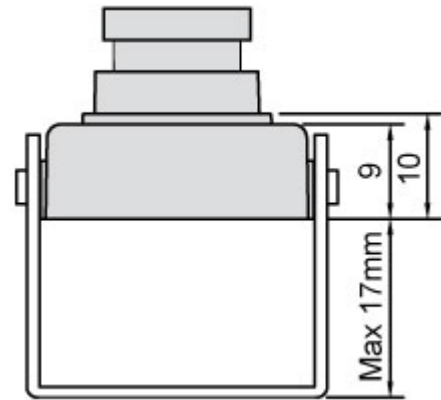
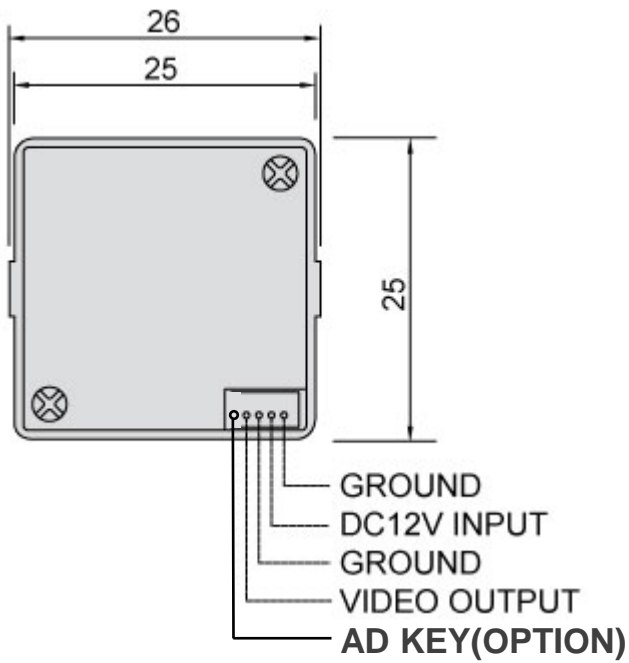
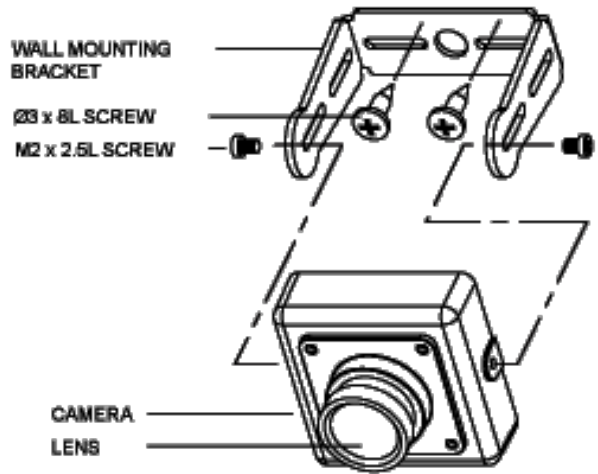
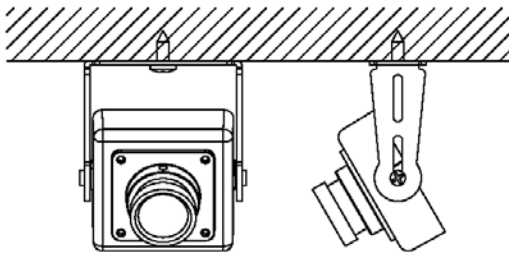


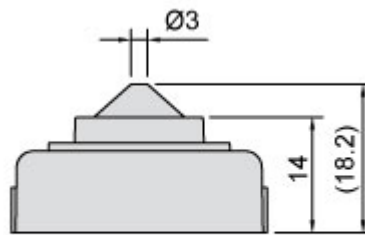
# 1. GENERAL SPECIFICATIONS

Camera	Image Device	1/2.8 type SONY CMOS(IMX307)
	Scanning System	Progressive Scan
	Total Pixels	1945(H) x 1109(V) : 2.16Mega pixel
	Effective Pixels	1945(H) x 1097(V) : 2.13Mega pixel
	Lens	Board, Pinhole
	Min. Illumination	0.007Lux@F2.6, 30IRE
	Sync System	Internal
	Electronic Shutter	NTSC : 1/30~1/30,000sec(X2~X32), PAL : 1/25~1/25,600sec(X2~X32)
ISP	Manufacture	EYENIX (EN771T)
Video	Output	HDA/ HDT/ HDC/CVBS (NTSC or PAL)
	Resolution& frame rate	<b>1080@30p/25p</b> , 720@60p/50p/30p/25p
OSD	On Screen Display	Cable OSD Key (Pelco-C Coaxitron)
	Language	English, Chinese, Chinese(S), Japanese, Korean
	LENS	DC/ MANUAL
	EXPOSURE	BRIGHTNESS/ AGC/ SHUTTER MODE& SPEED/ <b>SENS-UP</b>
	WHITE BALANCE	AWB/ATW/ PUSH LOCK/ MANUAL
	BACKLIGHT	OFF/ HLC/ BLC/ <b>WDR</b>
	DNR	OFF/ LOW/ MIDDLE/ HIGH
	DAY&NIGHT	AUTO/ COLOR/ B&W/ IR_EXT
	IMAGE	SHARPNESS/ COLOR LEVEL/ MIRROR/ FLIP/ GAMMA/ ACE/ <b>DEFOG</b>
	SPECIAL	COMM ADJUST/ PRIVACY/ MOTION
	SYSTEM	VIDEO OUTPUT/ FRAME RATE/ LANGUAGE/CAM TITLE
Others	Operating Temperature	14°F~122°F (-10°C~+50°C)
	Storage Temperature	-4°F~140°F (-20°C~+60°C)
	Humidity	Less than 80%
	Power Consumption	DC12V(±10%), Max.120mA
	Options	Lens, Cable OSD function

## 2. CONNECTION



BOARD LENS



PINHOLE LENS(P4)

### 3. OSD MENU STRUCTURE(1/2)

SETUP MENU	SUB MENU1	SUB MENU2	SUB MENU3	VALUE		
LENS	DC			INDOOR/OUTDOOR/DEBLUR		
	MANUAL			NORMAL/DEBLUR		
EXPOSURE	BRIGHTNESS			0 ~ 20		
	AGC			0 ~ 20		
	SHUTTER MODE			AUTO/ MANUAL/FLICKERLESS		
	SHUTTER SPEED			1/30(25),60(50),120(100),250(200),500(400),1K(800), 2K(1.6K),4K(3.2K),8K(6.4K),15K(12.8K),30K(25.6K)		
	SENS-UP			OFF/ X2/ X4/ X8 / X16 / X32		
WHITE BALANCE	AWB					
	ATW					
	PUSH LOCK			Press ENTER key		
	MANUAL	COLOR TEMP.			3000K/ 5000K/ 8000K	
		R-GAIN			0 ~ 20	
B-GAIN				0 ~ 20		
BACKLIGHT	OFF					
	HLC	LEVEL			0 ~ 20	
		COLOR			BLK,WHT,YEL,CYN,GRN,MAG,RED,BLU	
	BLC	H-POS			0 ~ 20	
		V-POS			0 ~ 20	
		H-SIZE			0 ~ 20	
		V-SIZE			0 ~ 20	
	WDR	MODE / NORMAL				
		MODE / ROI	WINDOW SEL			0 ~ 3
			WINDOW MODE			OFF/ ON
			H-POS			0 ~ 1920
			V-POS			0 ~ 1080
			H-SIZE			0 ~ 1920
			V-SIZE			0 ~ 1080
		WEIGHT			LOW/ MIDDLE/ HIGH	
DNR				OFF/ LOW/ MIDDLE/ HIGH		
DAY&NIGHT	AUTO	DWELL TIME			0 ~ 9sec, 1sec/step	
		AGC THRES			0(bright) ~ 20(dark)	
		AGC MARGIN			0(bright) ~ 20(dark)	
	COLOR					
	B&W					
	IR_EXT	DWELL TIME				0 ~ 9sec, 1sec/step
		D->N LEVEL				0(bright) ~ 20(dark)
		N->D LEVEL				0(bright) ~ 20(dark)
		SMART IR				OFF/ON
		LEVEL				0 ~ 20
IMAGE	SHARPNESS	SDI&CVBS/ HDC/ HDT/ HDA			0 ~ 10	
	COLOR LEVEL				0 ~ 20	
	MIRROR				OFF/ ON	
	FLIP				OFF/ ON	
	GAMMA				0.45/ 0.55/ 0.65/ 0.75	
	ACE				OFF/LOW/ MIDDLE/ HIGH	
	DEFOG	OFF				
		AUTO/ MANUAL				LOW/ MIDDLE/ HIGH

### 3. OSD MENU STRUCTURE(2/2)

SETUP MENU	SUB MENU1	SUB MENU2	SUB MENU3	VALUE	
SPECIAL	COMM. ADJUST	CAM ID		0 ~ 255	
		BAUDRATE		2400,4800,9600,19200,38400,57600,115200	
		PROTOCOL		PELCO-D	
		SET DONE		Save to Comm Adjust Setting	
	PRIVACY	OFF			
		ON	MASK SEL		0 ~ 15
			MASK MODE		OFF/ ON
			H-POS		0 ~ 60
			V-POS		0 ~ 34
			H-SIZE		0 ~ 60
			V-SIZE		0 ~ 34
			Y LEVEL		0 ~ 20
			CB LEVEL		0 ~ 20
			CR LEVEL		0 ~ 20
			TRANS		0 ~ 3
	MOTION	OFF			
		DET WINDOW	WINDOW SEL		0 ~ 3
			WINDOW MODE		OFF/ ON
			DET H-POS		0 ~ 60
			DET V-POS		0 ~ 34
			DET H-SIZE		0 ~ 60
			DET V-SIZE		0 ~ 34
		DET TONE		0 ~ 4	
		MDRECT FILL		OFF/ ON	
		SENSITIVITY		0 ~ 10	
	MOTION OSD		OFF/ ON		
	TEXT ALARM		OFF/ ON		
SYSTEM	VIDEO OUTPUT	OFF/CVBS/ HDC/ HDT/ H DA	Y-GAIN	0 ~ 32	
			CB GAIN	0 ~ 255	
			CR GAIN	0 ~ 255	
			POSITION	0 ~ 255	
			BURST FREQ	0 ~ 255	
			BURST GAIN	0 ~ 128	
			B&W	BURST OFF / BURST ON(HDT ONLY)	
			UCC SELECCT	8 BYTE / 10 BYTE(HDT ONLY)	
			720 EX	OFF / ON(HDT ONLY)	
	FRAME RATE		1080_30p/ 1080_25p/ 720_30p/ 720_25p/ 720_60p/ 720_50p		
	FREQ(NT/PAL)		60Hz(NTSC)/ 50Hz(PAL)		
	LANGUAGE		ENG/ CHINESE/ CHINESE(S)/ JAPANESE/ KOR		
	CAM TITLE	RIGHT UP		0 ~ 9, A ~ Z, blank	
		LEFT DOWN		0 ~ 9, A ~ Z, blank	
FACTORY DEFAULT			Reset to factory setting		
RETURN			Return to previous menu		
EXIT	SAVE		Setup menu to exit saving		
	CANCEL		Setup menu to exit without saving		

To open the Menu, Hold down the Center Key

WDR is OFF at 'SHUTTER MODE = MANUAL' or 'CVBS ON' or 'OSD ON'.

3-DNR mode is OFF at 'WDR ON'.

Up + Up + Up + Enter : HDA ON

Down + Down + Down + Enter : HDC ON

Right + Right + Right + Enter : HDT ON

Left + Left + Left + Enter : CVBS ON

Pelco-C Coaxitron Available